



MASTER LEDspot ExpertColor LV

MASTER LED ExpertColor LED ExpertColor 6.5-35W MR16 940 24D

MASTER LEDspot LV ExpertColor creates a warm and comfortable ambience for hospitality venues, homes and restaurants. It creates such an ambience with superior lighting that has a customised spectrum, high CRI and deep dimming feature. The result? A beautiful lighting experience. What's more, the innovative, trimless lens design will suit almost any interior decor with its clean and neat look. In addition, you can take advantage of the full ExpertColor family, which also includes LEDspot MV lamps.

Product data

General Information	
Cap base	GU5.3 [GU5.3]
EU RoHS compliant	Yes
Nominal lifetime (nom.)	40000 h
Switching cycle	50,000X
Technical type	6.5-35W
Light Technical	
Colour Code	940 [CCT of 4,000 K]
Beam Angle (Nom)	24°
Luminous flux (nom.)	460 lm
Luminous intensity (nom.)	2350 cd
Colour designation	Cool White (CW)
Correlated Colour Temperature (Nom)	4000 K
Luminous efficacy (rated) (nom.)	70.77 lm/W
Colour consistency	<3

Color rendering index (nom.)	97
LLMF at end of nominal lifetime (nom.)	70 %
Luminous flux in 90° cone (rated)	460 lm
Operating and Electrical	
Input frequency	- Hz
Power (Rated) (Nom)	6.5 W
Lamp current (nom.)	800 mA
Wattage equivalent	35 W
Starting time (nom.)	0.5 s
Warm-up time to 60% light (nom.)	0.5 s
Power factor (nom.)	0.7
Voltage (Nom)	ac electronic 12 V

MASTER LEDspot ExpertColor LV

Temperature

T-Case maximum (nom.) 90 °C

Controls and Dimming

Dimmable Yes

Approval and Application

Energy efficiency label (EEL) A+

Suitable for accent lighting Yes

Energy consumption kWh/1,000 hours 8 kWh

Product Data

Full product code 871869673881800

Order product name

MASTER LED ExpertColor LED
ExpertColor 6.5-35W MR16 940 24D

EAN/UPC – product

8718696738818

Order code

73881800

SAP numerator – quantity per pack

1

SAP numerator – packs per outer box

10

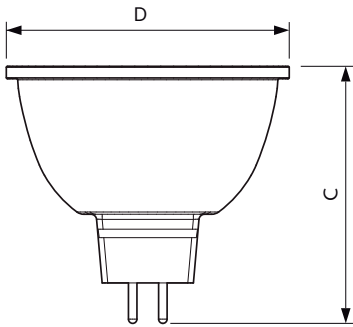
Material no. (12 NC)

929001342202

SAP net weight (piece)

0.030 kg

Dimensional drawing



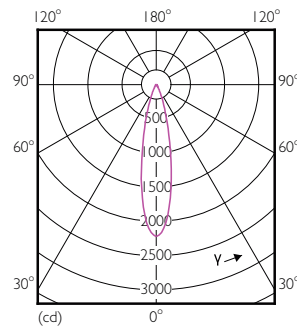
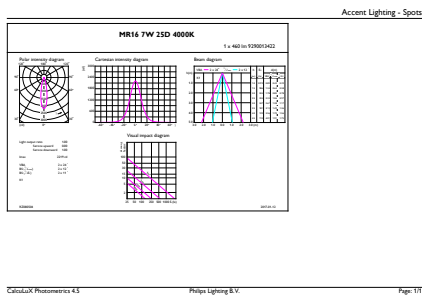
MR16 12V 6.5-42W 450lm 25D 4000K GU5.3 D

Product

D C

MASTER LED ExpertColor LED ExpertColor 6.5-35W MR16 51 mm 46 mm
940 24D

Photometric data

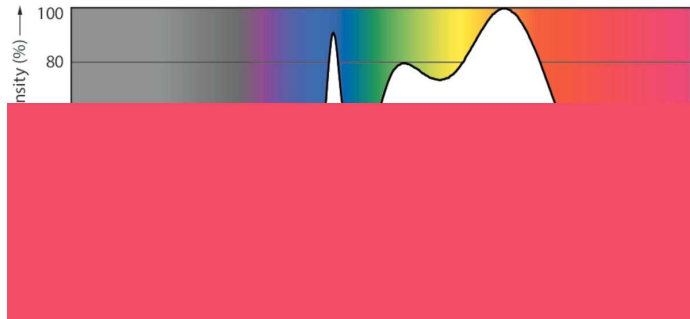


MR16 12V 6.5-42W 450lm 25D 4000K GU5.3 D

LEDSpots MR16 7W 940 460lm 25D

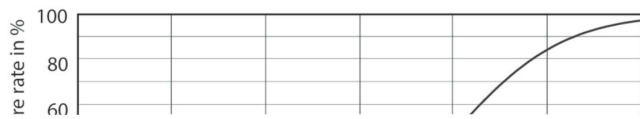
MASTER LEDspot ExpertColor LV

Photometric data

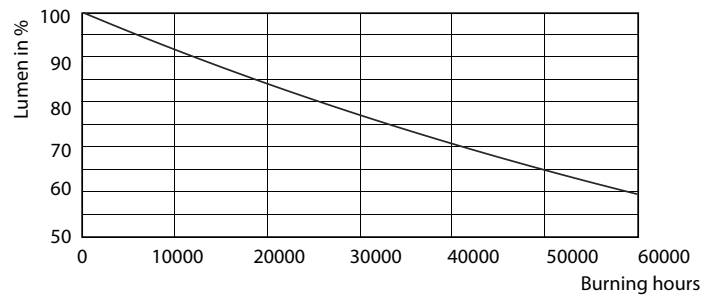


LEDspots MR16 7W 4000K

Lifetime



LEDspots MR16 7W



LEDspots MR16 7W

