



MASTER LEDspot ExpertColor LV

MASTER LED ExpertColor LED ExpertColor 6.5-35W MR16 940 60D

MASTER LEDspot LV ExpertColor creates a warm and comfortable ambience for hospitality venues, homes and restaurants. It creates such an ambience with superior lighting that has a customised spectrum, high CRI and deep dimming feature. The result? A beautiful lighting experience. What's more, the innovative, trimless lens design will suit almost any interior decor with its clean and neat look. In addition, you can take advantage of the full ExpertColor family, which also includes LEDspot MV lamps.

Product data

General Information	
Cap base	GU5.3 [GU5.3]
EU RoHS compliant	Yes
Nominal lifetime (nom.)	40000 h
Switching cycle	50,000X
Technical type	6.5-35W
Light Technical	
Colour Code	940 [CCT of 4,000 K]
Beam Angle (Nom)	60 °
Luminous flux (nom.)	440 lm
Luminous intensity (nom.)	440 cd
Colour designation	Cool White (CW)
Correlated Colour Temperature (Nom)	4000 K
Luminous efficacy (rated) (nom.)	67.69 lm/W
Colour consistency	<3

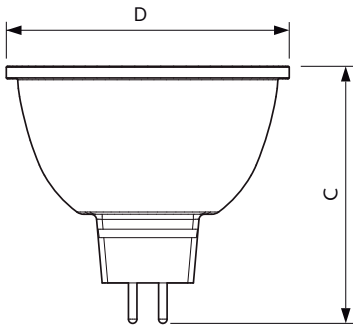
Color rendering index (nom.)	97
LLMF at end of nominal lifetime (nom.)	70 %
Luminous flux in 90° cone (rated)	440 lm
Operating and Electrical	
Input frequency	- Hz
Power (Rated) (Nom)	6.5 W
Lamp current (nom.)	800 mA
Wattage equivalent	35 W
Starting time (nom.)	0.5 s
Warm-up time to 60% light (nom.)	0.5 s
Power factor (nom.)	0.7
Voltage (Nom)	ac electronic 12 V

MASTER LEDspot ExpertColor LV

Temperature	
T-Case maximum (nom.)	90 °C
Controls and Dimming	
Dimmable	Yes
Approval and Application	
Energy efficiency label (EEL)	A+
Suitable for accent lighting	Yes
Energy consumption kWh/1,000 hours	8 kWh
Product Data	
Full product code	871869675755000

Order product name	MASTER LED ExpertColor LED ExpertColor 6.5-35W MR16 940 60D
EAN/UPC – product	8718696757550
Order code	75755000
SAP numerator – quantity per pack	1
SAP numerator – packs per outer box	10
Material no. (12 NC)	929001341602
SAP net weight (piece)	0.034 kg

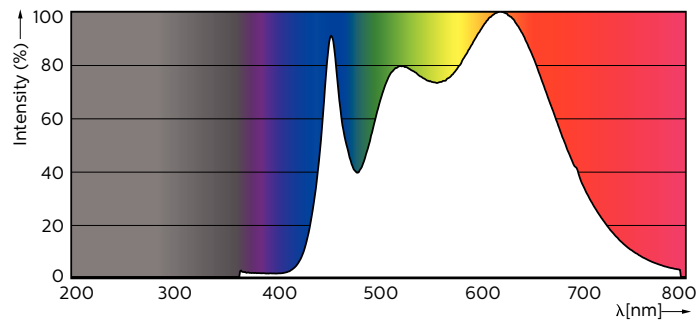
Dimensional drawing



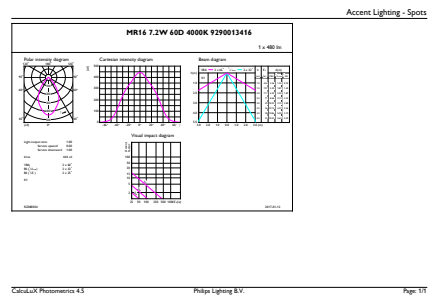
MAS LED MR16 ExpertColor 7.2-50W 940 60D

Product	D	C
MASTER LED ExpertColor LED ExpertColor 6.5-35W MR16 940 60D	50.5 mm	46 mm

Photometric data



Master LEDspot ExpertColor LV 50W EZ10 940 10D

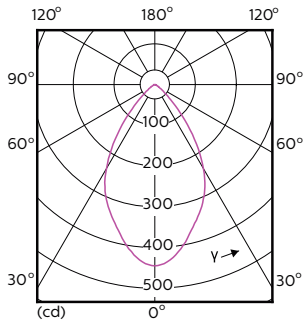


Accent Lighting - Spots
CelaLux Photonics 4.5 Philips Lighting B.V. Page 1/1

Master LEDspot ExpertColor LV 50W GU5.3 940 60D

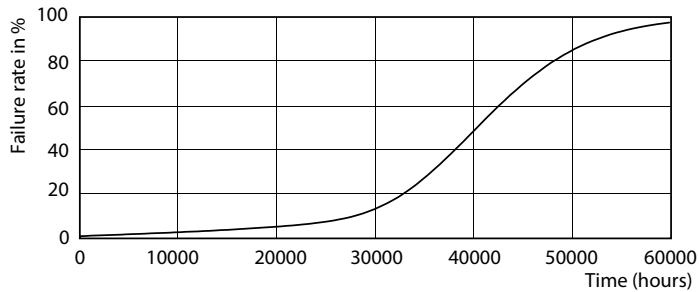
MASTER LEDspot ExpertColor LV

Photometric data

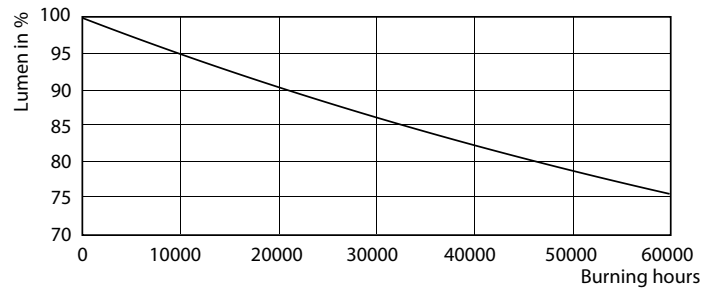


Master LEDspot ExpertColor LV 50W GU5.3 940 60D

Lifetime



Master LEDspot ExpertColor LV 50W EZ10 927 10D



Master LEDspot ExpertColor LV 50W EZ10 927 10D

