



MASTERColour CDM-T

MASTERColour CDM-T 250W/830 G12 1CT/12

Range of single-ended, compact, high-efficiency, discharge lamps with a stable colour over lifetime and a crisp, sparkling light

Warnings and Safety

- Use only in totally enclosed luminaire, even during testing (IEC61167, IEC 62035, IEC60598)
- The luminaire must be able to contain hot lamp parts if the lamp ruptures
- Control gear must include end-of-life protection (IEC61167, IEC 62035)
- Lamps may use electronic or electromagnetic control gear, except 35W/942 and 20W lamps, which must use electronic control gear.
- A lamp breaking is extremely unlikely to have any impact on your health. If a lamp breaks, ventilate the room for 30 minutes and remove the parts, preferably with gloves. Put them in a sealed plastic bag and take it to your local waste facilities for recycling. Do not use a vacuum cleaner.

Product data

General Information		Colour designation	
Cap base	G12 [G12]	Colour designation	Warm white (WW)
Operating position	UNIVERSAL [Any/Universal]	Lumen maintenance 10,000 hours (nom.)	92 %
Life to 5% failures (nom.)	3500 h	Lumen maintenance 2,000 hours (nom.)	98 %
Life to 10% failures (nom.)	10000 h	Lumen maintenance 5,000 hours (nom.)	97 %
Life to 20% failures (nom.)	12000 h	Chromaticity coordinate X (nom.)	0.435
Life to 50% failures (nom.)	15000 h	Chromaticity coordinate Y (nom.)	0.393
ANSI code HID	-	Correlated Colour Temperature (Nom)	3000 K
Light Technical		Luminous efficacy (rated) (nom.)	111 lm/W
Colour Code	830 [CCT of 3,000 K]	Colour rendering index (nom.)	85
Luminous flux (rated) (min.)	24780 lm	Ratio scotopic/photopic lumens	1.30
Luminous flux (rated) (nom.)	27750 lm	Operating and Electrical	
		Power (Rated) (Nom)	250.0 W

MASTERCcolour CDM-T

Lamp current run-up (max.)	6 A
Lamp current (EM) (nom.)	2.99 A
Ignition supply voltage (max.)	198 V
Ignition peak voltage (max.)	5000 V
Ignition supply voltage (min.)	198 V
Ignition peak voltage (min.)	3500 V
Re-ignition time (min.) (max.)	15 min
Ignition time (max.)	30 s
Voltage (Max)	103 V
Voltage (Min)	87 V
Voltage (Nom)	95 V

Controls and Dimming

Dimmable	No
Run-up time 90% (max.)	3 min

Mechanical and Housing

Lamp Finish	Clear
-------------	-------

Approval and Application

Energy efficiency label (EEL)	A+
Mercury (Hg) content (nom.)	27.5 mg
Energy consumption kWh/1,000 hours	274 kWh

UV

PET (NIOSH) (min.)	8 h/500lx
Damage factor D/fc (nom.)	0.15

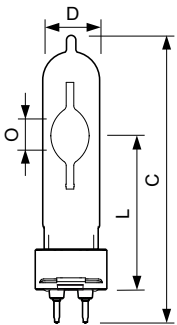
Luminaire Design Requirements

Bulb temperature (max.)	700 °C
Cap-base temperature (max.)	280 °C
Pinch temperature (max.)	350 °C

Product Data

Full product code	871150020801915
Order product name	MASTERCcolour CDM-T 250W/830 G12 1CT/12
EAN/UPC – product	8711500208019
Order code	20801915
Local code	250CDMT830
SAP numerator – quantity per pack	1
Numerator – packs per outer box	12
Material no. (12 NC)	928089805131
SAP net weight (piece)	0.039 kg
ILCOS code	MT/UB-250/830-H-G12-25/135

Dimensional drawing

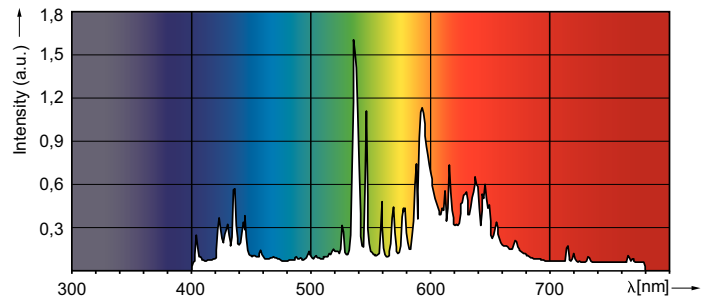
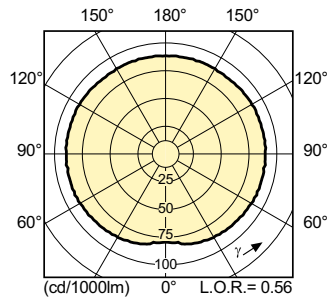
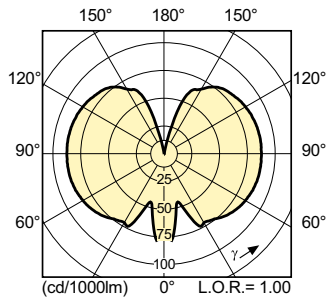


CDM-T 250W/830 G12

Product	D (max)	O	L (min)	L (max)	L	C (max)
MASTERCcolour CDM-T	25 mm	12.3	71.5 mm	73.5 mm	72.5	135 mm
250W/830 G12 1CT/12		mm			mm	

MASTERCoulour CDM-T

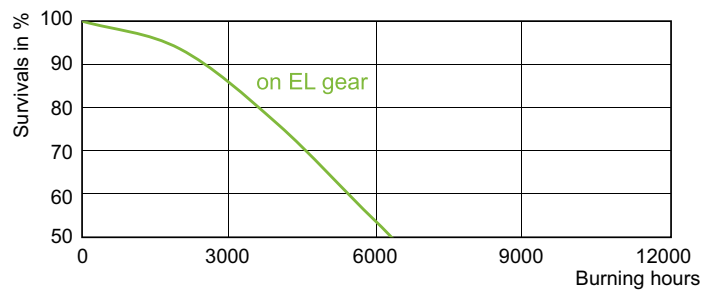
Photometric data



LDLD_CDM-T_0007-Light distribution diagram

LDPO_CDM-T_250W_830-Spectral power distribution Colour

Lifetime



LDLE_CDM-T_250W_830-Life expectancy diagram

