

HF-Matchbox Blue

HF-M BLUE 128 LH TL5 230-240V

HF-Matchbox Blue is an affordable, reliable, compact, lightweight and high-frequency ballast for use with system wattages below 25 W in combination with TL mini, TL-D, TL5 and TL5c, PL-T/C, and PL-L/S lamps. The HF-M Blue range has a robust design, meets all relevant international safety and performance standards and has an energy efficiency index (CELMA EEI) of A2.

Product data

General Information	
Lamp type	TL5
Number of lamps	1 piece/unit
Automatic restart	Yes
Operating and Electrical	
Input Voltage	230 to 240 V
Input frequency	50 to 60 Hz
Power factor 100% load (nom.)	0.63
Ignition time (max.)	0.5 s
Mains voltage performance (AC)	-8%+6%
Mains voltage safety (AC)	-10%+10%
Power losses (nom.)	4.5 W
Wiring	
Connector type input terminals	Insert
Colour input terminals	Blue
Colour output terminals	Grey
Connector type output terminals	Insert
Cable length from device to lamp	1.5 m
Cable length hot-wiring	0.3 m
Wire strip length	8.0-9.0 mm

Input terminal cross section	0.50-1.50 mm ²
Output terminal cross section	0.50-1.50 mm ²
System characteristics	
Rated ballast-lamp power	28 W
Rated lamp power on TL5	28 W
System power on TL5	24.1 W
Lamp power on TL5	19.6 W
Power loss on TL5	4.5 W
Temperature	
T-ambient (max.)	40 °C
T-ambient (min.)	-10 °C
T-Case maximum (max.)	75 °C
Mechanical and Housing	
Housing	LH
Emergency Operation	
Battery voltage lamp ignition	194-254 V

HF-Matchbox Blue

Approval and Application

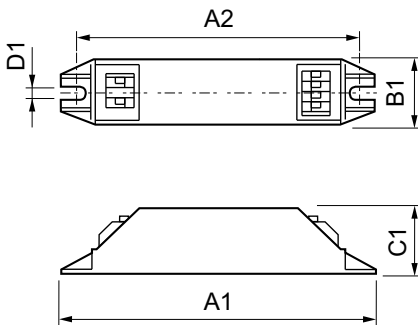
IP classification	IP 20 [Ingress Protection 20]
Approval marks	F-Marking CE marking VDE certificate CB Certificate

Product Data

Full product code	871150093243330
Order product name	HF-M BLUE 128 LH TL5 230-240V
EAN/UPC – product	8711500932433

Order code	93243330
Local order code	HFMBLUE128LH
SAP numerator – quantity per pack	1
Numerator – packs per outer box	50
SAP material	913700419966
SAP net weight (piece)	0.047 kg

Dimensional drawing



HF-M BLUE 128 LH TL5 230-240V

Product

HF-M BLUE 128 LH TL5 230-240V

