



Instant heat exactly where and when needed

InfraRed Industrial Heat Incandescent

The Philips infrared incandescent reflector lamps are designed to work in the toughest environment such as farm, bathroom or kitchen and their nearest surrounding. They have a reinforced construction thanks to hard glass use. Their compact form and universal cap base allow them to be used with any suitable equipment. A very good method of generating warmth is by using heat lamps. The Philips infrared lamps provide direct, draught-free warmth to the animals, people, but also food. These benefits have made farmers, consumers and cooks around the world choose Philips infrared lamps, because they are the sturdiest, most efficient lamps available for these applications.

Benefits

- 30% extra energy saving with PAR thanks to its unique reflector system
- Simple and safe heat source with no risk of broken glass
- 90% of energy is transmitted as infrared heat.

Features

- Robust and sturdy hard glass construction of entire range of infrared reflectors.
- Reflector shape allows concentrated heat to be applied to where it is needed.
- The design of PAR38 incorporates a completely sealed reflector and therefore high efficiency.
- More hassle free and handy replacement period thanks to long durability of infrared lamps
- Red-coloured lamps to reduce visual light emission and glare.

InfraRed Industrial Heat Incandescent

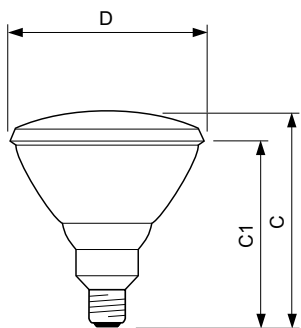
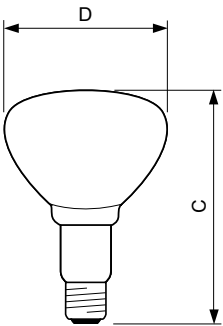
Application

- Agricultural: breeding and rearing of pigs, poultry, calves, foals, dogs etc. as well as in veterinary clinics, zoos, pet shops.
- General radiant heating, e.g. hot food displays, cooker hoods, bathrooms, space heating etc.
- Industrial heating, e.g. drying, baking, carbonising, melting etc.

Versions



Dimensional drawing



Product	D	C (max)
BR125 IR 250W E27 230-250V CL 1CT/10	125 mm	173 mm

Product	D	C (max)	C1 (max)
PAR38 IR 100W E27 240V CL 1CT/12	121 mm	136 mm	124 mm
PAR38 IR 175W E27 240V CL 1CT/12	121 mm	136 mm	124 mm

InfraRed Industrial Heat Incandescent

Controls and Dimming

Dimmable	Yes
----------	-----

General Information

Cap-Base	E27
Nominal Lifetime (Nom)	5000 h
Main Application	Infrared Industrial
Operating Position	UNIVERSAL
Rated Lifetime (Hours)	5000 h

Mechanical and Housing

Bulb Finish	Clear
Bulb Material	Hard Glass

Operating and Electrical

Order Code	Full Product Name	Voltage (Nom)	Power (Rated) (Nom)
57523425	BR125 IR 250W E27 230-250V CL 1CT/10	230-250 V	250 W
12656625	R125 IR 300W E27 230-250V CL 1CT/10	230-250 V	300 W
12893515	PAR38 IR 100W E27 240V CL 1CT/12	240 V	100 W
12895915	PAR38 IR 175W E27 240V CL 1CT/12	240 V	175 W

Luminaire Design Requirements

Order Code	Full Product Name	Bulb Temperature (Max)
57523425	BR125 IR 250W E27 230-250V CL 1CT/10	500 °C
12656625	R125 IR 300W E27 230-250V CL 1CT/10	500 °C

Order Code	Full Product Name	Bulb Temperature (Max)
12893515	PAR38 IR 100W E27 240V CL 1CT/12	-
12895915	PAR38 IR 175W E27 240V CL 1CT/12	-

Mechanical and Housing

Order Code	Full Product Name	Bulb Shape
57523425	BR125 IR 250W E27 230-250V CL 1CT/10	BR125
12656625	R125 IR 300W E27 230-250V CL 1CT/10	R125

Order Code	Full Product Name	Bulb Shape
12893515	PAR38 IR 100W E27 240V CL 1CT/12	PAR38
12895915	PAR38 IR 175W E27 240V CL 1CT/12	PAR38

Light Technical

Order Code	Full Product Name	Colour Designation
57523425	BR125 IR 250W E27 230-250V CL 1CT/10	-
12656625	R125 IR 300W E27 230-250V CL 1CT/10	-

Order Code	Full Product Name	Colour Designation
12893515	PAR38 IR 100W E27 240V CL 1CT/12	C
12895915	PAR38 IR 175W E27 240V CL 1CT/12	C

