



Product Description

HF-Regulator II for TL-D lamps

Flat, lightweight high-frequency electronic regulating ballast, using 1-10V protocol for TL-D fluorescent lamps

Benefits

- The lamp power can be dimmed from 1 to 100% via the Analog control input (in accordance with the 1-10 V industry standard)
- Compliant with European and Asian norms and suitable for emergency lighting systems
- HF operation improves light quality, lamp lifetime
- Combined with controls, additional energy savings can be achieved

Features

- Programmed start: flicker-free ignition < 0.5 seconds and striation-free operation, no stroboscopic effects. Preheating the lamp electrodes enables the lamps to be switched on and off without reducing life
- Smart power ensures constant light, independent of mains fluctuations.
- Up to 60% reduction in energy consumption by using automatic lighting control systems
- Stop circuit is activated within 5 seconds in the event of lamp failure (safety stop), and ballast resets automatically after lamp replacement

Application

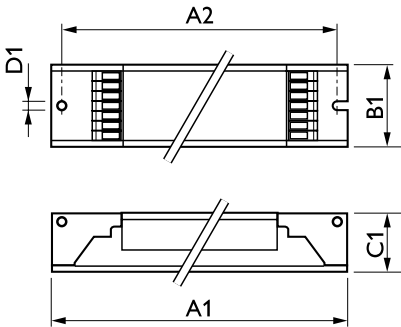
- 1-10V installations with daylight linking and/or movement detection (for energy savings)
- 1-10V installations with remote control systems (combining energy savings with comfort)
- Installations with emergency back-up, according to IEC 60598-2-22

HF-Regulator II for TL-D lamps

Versions



Dimensional drawing



Product	D1	C1	A1	A2	B1
HF-R 136 TL-D EII 220-240V 50/60Hz	4.2 mm	22 mm	360 mm	350 mm	30 mm
HF-R 236 TL-D EII 220-240V 50/60Hz	4.2 mm	22 mm	360 mm	350 mm	30 mm
HF-R 158 TL-D EII 220-240V 50/60Hz	4.2 mm	22 mm	360 mm	350 mm	30 mm
HF-R 258 TL-D EII 220-240V 50/60Hz	4.2 mm	22 mm	360 mm	350 mm	30 mm
HF-R 418 TL-D EII 220-240V 50/60Hz	4.2 mm	22 mm	359 mm	350 mm	39 mm

Approval and Application

Energy Efficiency Index A1 BAT

Operating and Electrical

Input Frequency 50 to 60 Hz

Input Voltage 220 to 240 V

General Information

Lamp Type TL-D

General Information

Order Code	Full Product Name	Number Of Products On MCB (16A Type) B) (Nom)	Number Of Lamps
91013430	HF-R 136 TL-D EII 220-240V 50/60Hz	28	1 piece/unit
91015830	HF-R 236 TL-D EII 220-240V 50/60Hz	12	2 piece/unit
91017230	HF-R 158 TL-D EII 220-240V 50/60Hz	28	1 piece/unit

Order Code	Full Product Name	Number Of Products On MCB (16A Type) B) (Nom)	Number Of Lamps
91019630	HF-R 258 TL-D EII 220-240V 50/60Hz	12	2 piece/unit
91366130	HF-R 418 TL-D EII 220-240V 50/60Hz	12	4 piece/unit

Mechanical and Housing

HF-Regulator II for TL-D lamps

Order Code	Full Product Name	Housing
91013430	HF-R 136 TL-D EII 220-240V 50/60Hz	L 360x30x21
91015830	HF-R 236 TL-D EII 220-240V 50/60Hz	L 360x30x21
91017230	HF-R 158 TL-D EII 220-240V 50/60Hz	L 360x30x21

Order Code	Full Product Name	Housing
91019630	HF-R 258 TL-D EII 220-240V 50/60Hz	L 360x30x21
91366130	HF-R 418 TL-D EII 220-240V 50/60Hz	L 359x39x22

System characteristics

Order Code	Full Product Name	Rated Ballast-Lamp Power
91013430	HF-R 136 TL-D EII 220-240V 50/60Hz	36 W
91015830	HF-R 236 TL-D EII 220-240V 50/60Hz	36 W
91017230	HF-R 158 TL-D EII 220-240V 50/60Hz	58 W

Order Code	Full Product Name	Rated Ballast-Lamp Power
91019630	HF-R 258 TL-D EII 220-240V 50/60Hz	58 W
91366130	HF-R 418 TL-D EII 220-240V 50/60Hz	18 W

