

# Robust design, compact form

## HF-Matchbox Blue

HF-Matchbox Blue is an affordable, reliable, compact, lightweight and high-frequency ballast for use with system wattages below 25 W in combination with TL mini, TL-D, TL5 and TL5c, PL-T/C, and PL-L/S lamps. The HF-M Blue range has a robust design, meets all relevant international safety and performance standards and has an energy efficiency index (CELMA EEI) of A2.

### Benefits

- Automatic restart (after voltage dip or lamp exchange) ensures easy operation and hassle-free re-lamping.
- Suitable for use in class I or class II luminaires

### Features

- Suitable for emergency DC operation between 190 and 254 V
- Programmed, flicker-free, pre-heated start (<0.8 s); over 8,000 on/off switches on one lamp (depending on lamp/ballast combination)
- Automatic restart (after voltage dip or lamp exchange) ensures easy operation and hassle-free re-lamping.

### Application

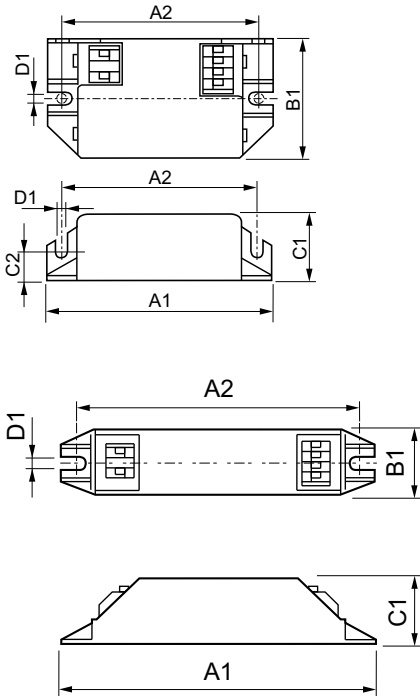
- Used with movement-detection control systems like Philips OccuPlus in applications where lamps burn for a long period of time and the switching cycle is infrequent (e.g. a maximum of three times per day)
- Mainly for indoor applications such as spotlights, downlights, light boxes, and emergency and security fixtures used largely in retail stores, office buildings, hotels, private homes and residential buildings
- Domestic applications such as outdoor garden lighting, garage areas, stairways

# HF-Matchbox Blue

## Versions



## Dimensional drawing



### Product

HF-M BLUE 124 SH TL/TL5/PL-L 230-240V

### Product

HF-M BLUE 124 LH TL/TL5/PL-L 230-240V

HF-M BLUE 121 LH TL5 230-240V

HF-M BLUE 128 LH TL5 230-240V

HF-M BLUE 109 LH TL/PL-S 230-240V

HF-M BLUE 114 LH TL/PL-S/PL-C 230-240V

### Operating and Electrical

Input Frequency	50 to 60 Hz
Input Voltage	230 to 240 V

### General Information

Number Of Lamps	1 piece/unit
-----------------	--------------

## General Information

## HF-Matchbox Blue

Order Code	Full Product Name	Number Of Products On MCB (16A Type B) (Nom)	Lamp Type
53638930	HF-M BLUE 124 SH TL/TL5/PL-L 230-240V	60	TL/TL5/PL-L
53640230	HF-M BLUE 124 LH TL/TL5/PL-L 230-240V	60	TL/TL5/PL-L
53646430	HF-M BLUE 121 LH TL5 230-240V	59	TL5

Order Code	Full Product Name	Number Of Products On MCB (16A Type B) (Nom)	Lamp Type
93243330	HF-M BLUE 128 LH TL5 230-240V	-	TL5
53680830	HF-M BLUE 109 LH TL/PL-S 230-240V	159	TL/PL-S
53682230	HF-M BLUE 114 LH TL/PL-S/PL-C 230-240V	101	TL/PL-S/PL-C

### Mechanical and Housing

Order Code	Full Product Name	Housing
53638930	HF-M BLUE 124 SH TL/TL5/PL-L 230-240V	SH
53640230	HF-M BLUE 124 LH TL/TL5/PL-L 230-240V	LH
53646430	HF-M BLUE 121 LH TL5 230-240V	LH

Order Code	Full Product Name	Housing
93243330	HF-M BLUE 128 LH TL5 230-240V	LH
53680830	HF-M BLUE 109 LH TL/PL-S 230-240V	LH
53682230	HF-M BLUE 114 LH TL/PL-S/PL-C 230-240V	LH

### System characteristics

Order Code	Full Product Name	Lamp Power On PL-C	Lamp Power On PL-S	Lamp Power On TL	Lamp Power On TL5	Rated Ballast-Lamp Power
53638930	HF-M BLUE 124 SH TL/TL5/PL-L 230-240V	-	-	-	-	24 W
53640230	HF-M BLUE 124 LH TL/TL5/PL-L 230-240V	-	-	-	-	24 W
53646430	HF-M BLUE 121 LH TL5 230-240V	-	-	-	-	21 W
93243330	HF-M BLUE 128 LH TL5 230-240V	-	-	-	19.6 W	28 W
53680830	HF-M BLUE 109 LH TL/PL-S 230-240V	-	7.8 W	8.2 W	-	9 W
53682230	HF-M BLUE 114 LH TL/PL-S/PL-C 230-240V	12.2 W	11.9 W	11.8 W	-	14 W

