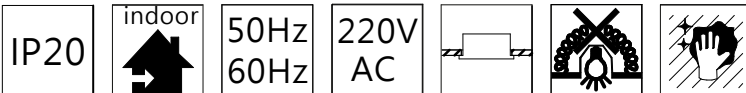
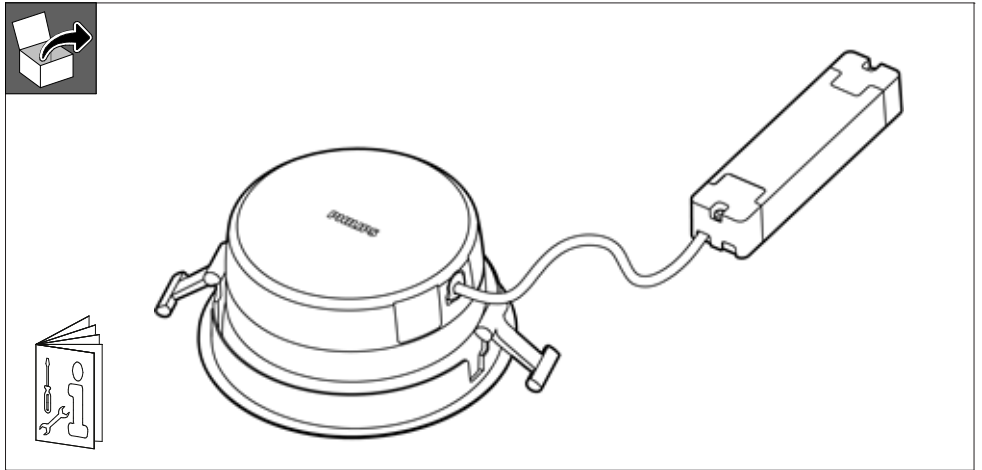


PHILIPS

LUXSPACE

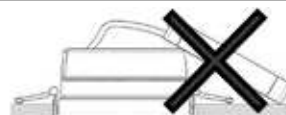
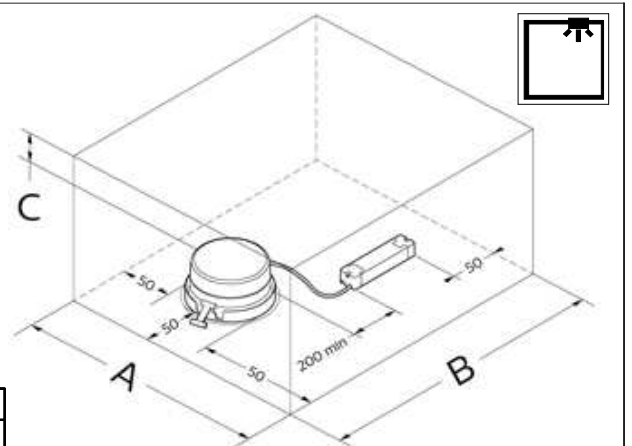
DN560B/561B/570B/571B



Model	Lumen package	Color Temperature [K]	kg
DN560B DN561B	LED8S	830/840/927/930/940	0,7
	LED12S	830/840/927/930/940	0,7
	LED20S	830/840/927/930/940	0,7
DN570B DN571B	LED12S	830/840/927/930/940	1,17
	LED20S	830/840/927/930/940	1,17
	LED24S	830/840/927/930/940	1,17
	LED40S	830/840	1,17
	LED60S	830/840	1,47

Product info

	H [mm]	mm	Ø [mm]	A [mm]	B [mm]	C [mm]
DN560B	72	150	164	250	550	>3
DN561B	86	150	164	250	550	>3
DN570B	96,5	200	214	300	700	>3
DN571B	119	200	214	300	700	>3
DN570B 60S	161,5	200	214	300	700	>3
DN571B 60S	184	200	214	300	700	>3

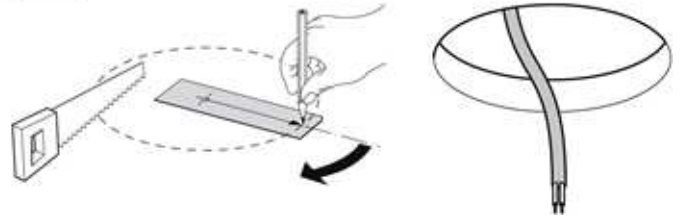




- RIMLESS Housing
- PG or PGO Front Face Covers
- Suspended Glass Deco Accessories

1a

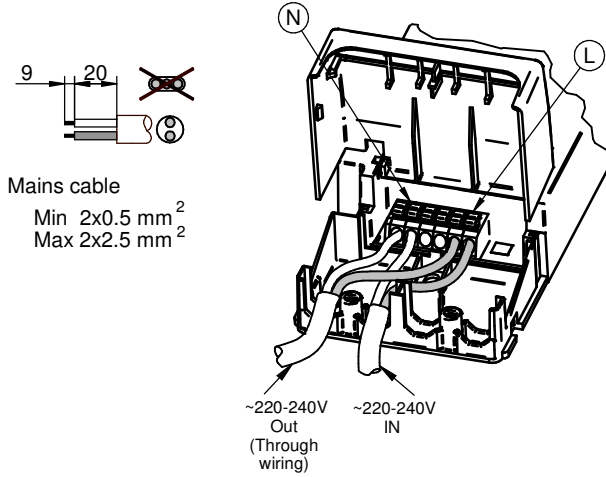
 **BN560/561** Ø150 ±2mm
BN570/571 Ø200 ±2mm



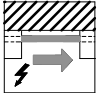
1b



PSU-E / IA1



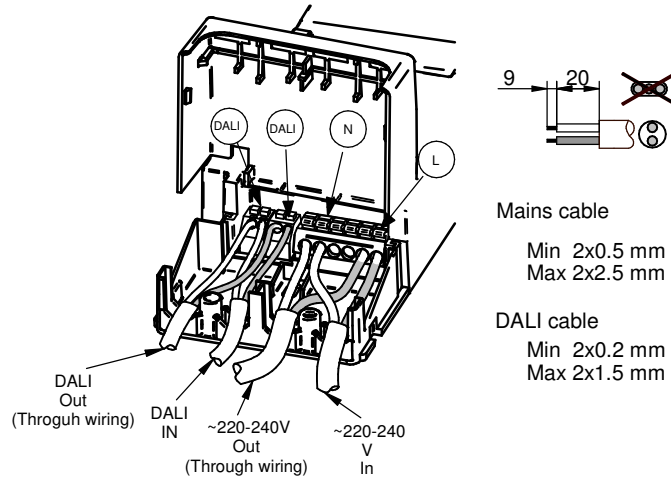
Mains cable
Min 2x0.5 mm²
Max 2x2.5 mm²



2

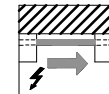


PSD-VLC-E



Mains cable
Min 2x0.5 mm
Max 2x2.5 mm

DALI cable
Min 2x0.2 mm
Max 2x1.5 mm

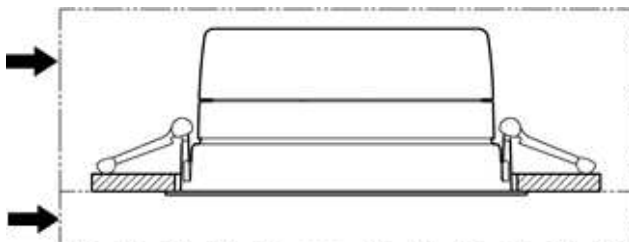


2b

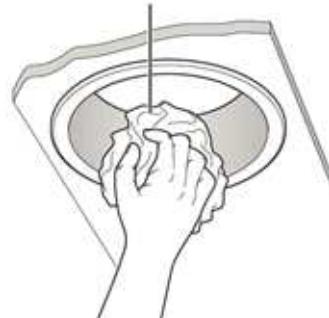
DN560B/561B/570B/571B + PG
DN560B/561B/570B/571B + PGO

IP20

IP54

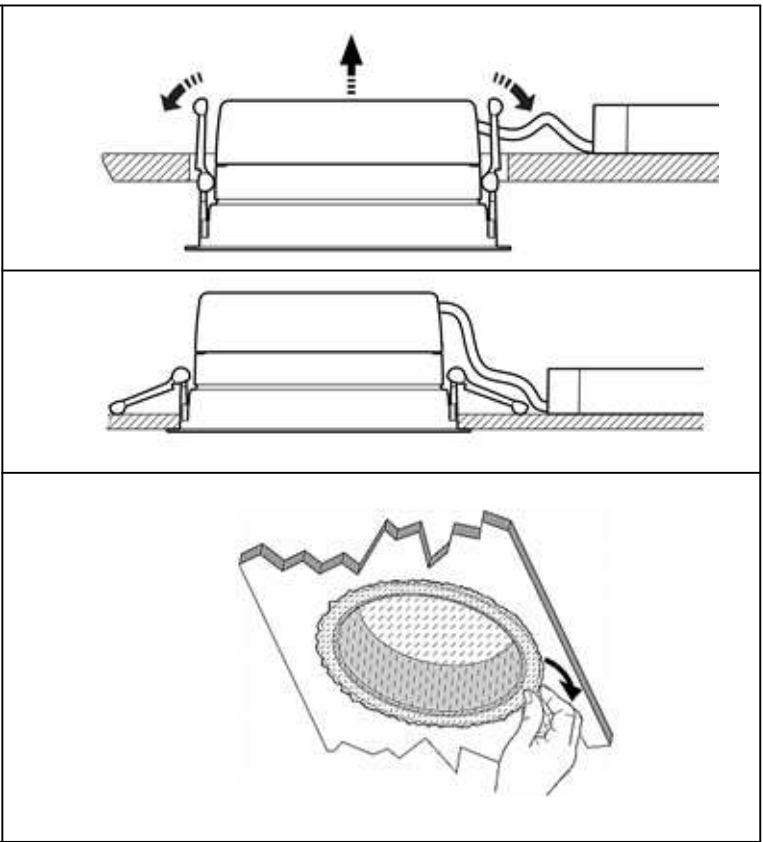
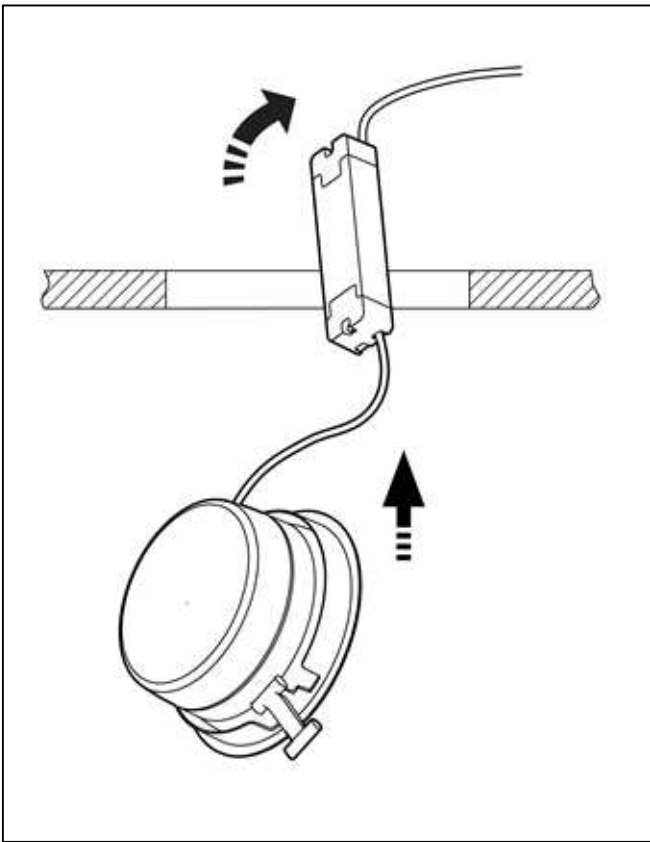
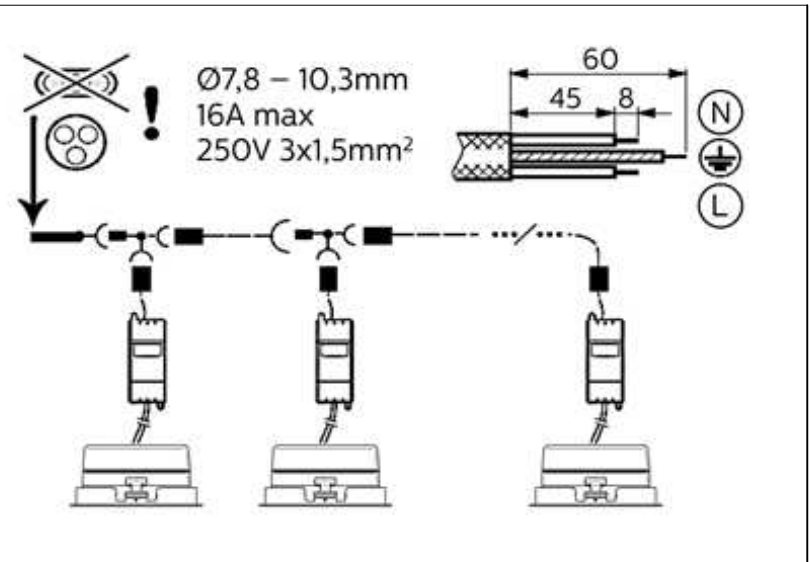
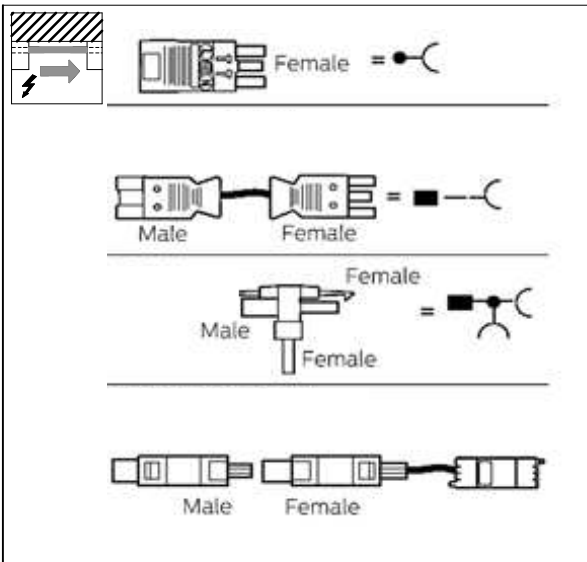


ZBS260 OCS.

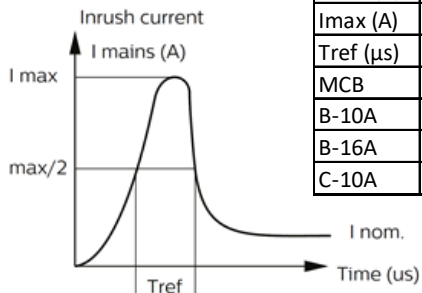


Soft cloth





DALI dimming range 1-100%



	Xtanium 20W WH 0.15-0.5A 54V Is	Xtanium 36W WH 0.3- 1.05A 54V Is	Xtanium 20W WH 0.15-0.5A 54V TD/Is CL	Xtanium 36W WH 0.3- 1A 54V TD/Is CL	Xtanium 50W WH 0.7- 1.5A 54V Is	Xtanium 50W WH 0.7- 1.5A 54V TD/Is CL	Xtanium 36W 0.5- 0.85A 42V WZ 230V /I
Inom (A)	0,11	0,19	0,11	0,19	0,27	0,27	0,22
Imax (A)	15,8	16	20,4	20,4	23,5	23,5	12
Tref (µs)	224	216	195	195	272	272	250
MCB	Max number of drivers						
B-10A	x21	x21	x15	x15	x15	x15	x15
B-16A	x36	x36	x24	x24	x24	x24	24x
C-10A	x34	x34	x24	x24	x24	x24	x24

CLO Version

			Pmax (W)	Pmax (W)
		CCT/CRI	@ t=0h	@ t=50kh
DN570B/DN571B	LED12S	830/840	10	11
DN570B/DN571B	LED20S	830/840	16	17,9
DN570B/DN571B	LED24S	830/840	20	22
DN570B/DN571B	LED40S	830/840	31	34,4
DN570B/DN571B	LED60S	830/840	48	53,3



DO NOT REPROGRAM THE DRIVER

Constant light Output Option stopped @ 50 000h

The light source contained in this luminaire shall only be replaced by the manufacturer or his service agent or a similar qualified person

© 2018 Signify Holding.

All rights reserved. This document contains information relating to the product portfolio of Signify which information may be subject to change. No representation or warranty as to the accuracy or completeness of the information included herein is given and any liability for any action in reliance thereon is disclaimed. The information presented in this document is not intended as any commercial offer and does not form part of any quotation or contract. Philips and the Philips Shield Emblem are registered trademarks of Koninklijke Philips N.V.. All other trademarks are owned by Signify Holding or their respective owners.

Signify Holding.
The Netherlands