

Classic filament LEDbulbs

LED classic-giant 40W E27 G200 GOLD DIM

Featuring a classic heritage design, Classic filament LED bulbs combine the familiar shapes of classic incandescent bulbs with the benefits of the long-lasting LED technology. They deliver beautiful, decorative warm-white light while saving around 90% on energy costs compared with traditional light bulbs.

Product data

General Information	
Cap base	E27 [E27]
EU RoHS compliant	Yes
Nominal lifetime (nom.)	15000 h
Switching cycle	20,000X

Light Technical	
Colour Code	818 [CCT of 1,800 K]
Luminous flux (nom.)	470 lm
Colour designation	1800
Correlated Colour Temperature (Nom)	1800 K
Luminous efficacy (rated) (nom.)	67.00 lm/W
Colour consistency	<6
Colour rendering index (nom.)	80
LLMF at end of nominal lifetime (nom.)	70 %

Operating and Electrical	
Input frequency	50 to 60 Hz
Power (Rated) (Nom)	7 W
Lamp current (nom.)	43 mA

Wattage equivalent	40 W
Starting time (nom.)	0.5 s
Warm-up time to 60% light (nom.)	0.5 s
Power factor (nom.)	0.7
Voltage (Nom)	220-240 V

Temperature	
T-Case maximum (nom.)	45 °C

Controls and Dimming	
Dimmable	Yes

Mechanical and Housing	
Lamp Finish	Amber
Bulb shape	G200

Approval and Application	
Energy consumption kWh/1,000 hours	7 kWh

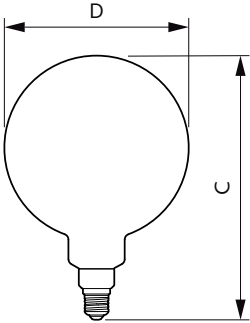
Classic filament LEDbulbs

Product Data

Full product code	871951431378100
Order product name	LED classic-giant 40W E27 G200 GOLD DIM
EAN/UPC – product	8719514313781
Order code	31378100
SAP numerator – quantity per pack	1

Numerator – packs per outer box	2
SAP material	929002983601
SAP net weight (piece)	0.360 kg

Dimensional drawing

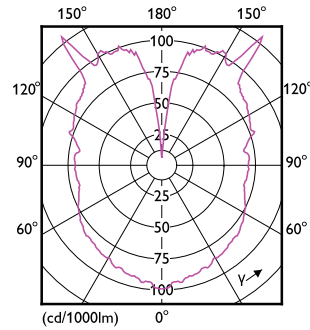
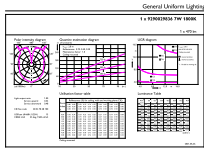


Bulb G200 230V 40W 470lm 1800K E27 D

Product

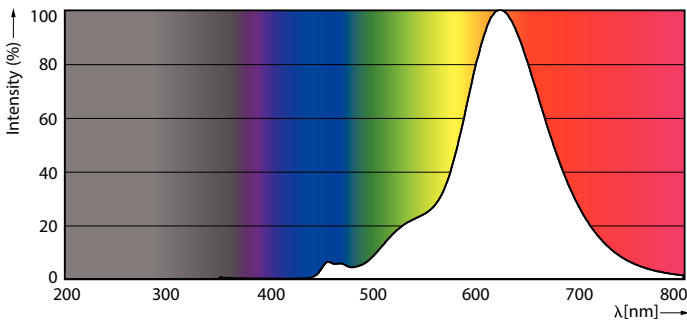
LED classic-giant 40W E27 G200 GOLD DIM

Photometric data



LEDbulb SLR 7W G200 E27 818 Amber-GUL

LEDbulb SLR G200 7W E27 818 Amber-LDD



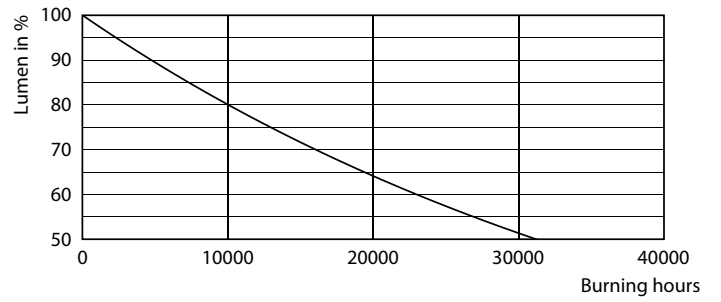
LEDbulb SLR 7W G200 E27 818 Amber-POC

Classic filament LEDbulbs

Lifetime



15K LED



15K LMP

