



# MASTER LEDspot ExpertColor LV

## MASTER LED ExpertColor 6.5-35W MR16 940 24D

MASTER LEDspot LV ExpertColor creates a warm and comfortable ambience for hospitality venues, homes and restaurants. It creates such an ambience with superior lighting that has a customised spectrum, high CRI and deep dimming feature. The result? A beautiful lighting experience. What's more, the innovative, trimless lens design will suit almost any interior decor with its clean and neat look. In addition, you can take advantage of the full ExpertColor family, which also includes LEDspot MV lamps.

### Product data

General Information	
Cap base	GU5.3 [ GU5.3]
EU RoHS compliant	Yes
Nominal lifetime (nom.)	40000 h
Switching cycle	50,000X
Technical type	6.5-35W
Light Technical	
Colour Code	940 [ CCT of 4,000 K]
Beam Angle (Nom)	24°
Luminous flux (nom.)	460 lm
Luminous intensity (nom.)	2350 cd
Colour designation	Cool White (CW)
Correlated Colour Temperature (Nom)	4000 K
Luminous efficacy (rated) (nom.)	70.77 lm/W
Colour consistency	<3
Colour rendering index (nom.)	97
LLMF at end of nominal lifetime (nom.)	70 %

Luminous flux in 90° cone (rated)	460 lm
Operating and Electrical	
Input frequency	- Hz
Power (Rated) (Nom)	6.5 W
Lamp current (nom.)	800 mA
Wattage equivalent	35 W
Starting time (nom.)	0.5 s
Warm-up time to 60% light (nom.)	0.5 s
Power factor (nom.)	0.7
Voltage (Nom)	ac electronic 12 V
Temperature	
T-Case maximum (nom.)	90 °C
Controls and Dimming	
Dimmable	Yes

# MASTER LEDspot ExpertColor LV

## Mechanical and Housing

Bulb shape MR16 [ 2inch/50mm]

## Approval and Application

Suitable for accent lighting Yes

Energy consumption kWh/1,000 hours 8 kWh

## Product Data

Full product code 871869673881800

Order product name MASTER LED ExpertColor 6.5-35W MR16 940 24D

EAN/UPC – product 8718696738818

Order code 73881800

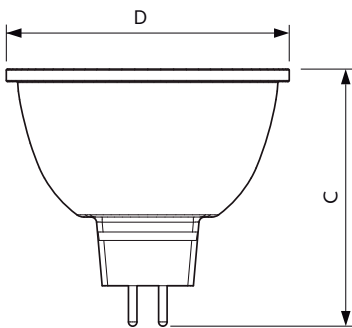
SAP numerator – quantity per pack 1

Numerator – packs per outer box 10

SAP material 929001342202

SAP net weight (piece) 0.030 kg

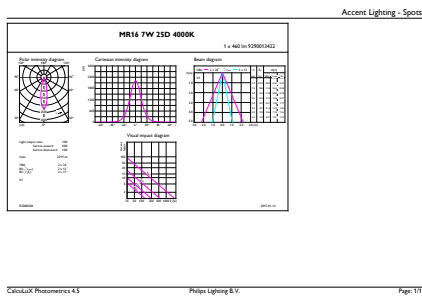
## Dimensional drawing



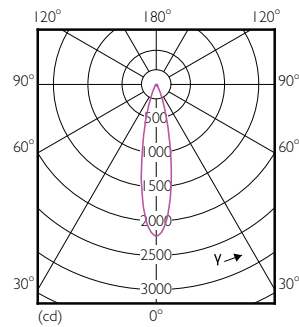
MR16 12V 6.5-42W 450lm 25D 4000K GU5.3 D

Product	D	C
MASTER LED ExpertColor 6.5-35W MR16 940 24D	51 mm	46 mm

## Photometric data



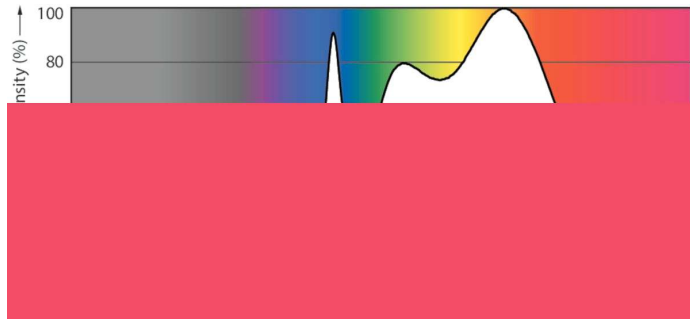
MR16 12V 6.5-42W 450lm 25D 4000K GU5.3 D



LEDSpots MR16 7W 940 460lm 25D

# MASTER LEDspot ExpertColor LV

## Photometric data

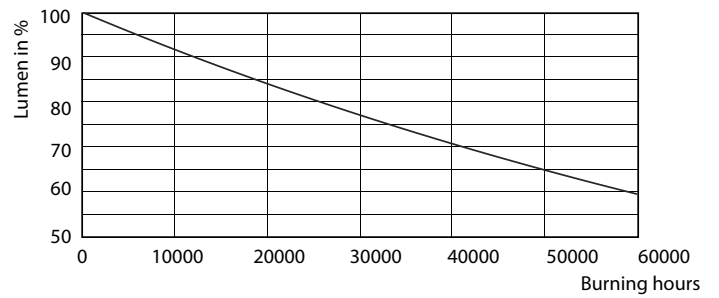


LEDspots MR16 7W 4000K

## Lifetime



LEDspots MR16 7W



LEDspots MR16 7W

