

PHILIPS

Lighting



MASTERColour CDM-Rm Elite Mini

MASTERColour CDM-Rm Elite Mini 20W/830 GX10 MR16 10D

Mini, very high-efficiency Ceramic Metal Halide discharge reflector lamp producing crisp white sparkling light with high colour rendering

Warnings and Safety

- Use only with electronic control gear
- Control gear must include end-of-life protection (IEC61167, IEC 62035)

Product data

General Information			
Cap base	GX10 [GX10]	Luminous flux (nom.)	880 lm
Operating position	UNIVERSAL [Any/Universal]	Luminous flux (rated) (min.)	900 lm
Life to 5% failures (nom.)	9000 h	Luminous flux (rated) (nom.)	980 lm
Life to 10% failures (nom.)	10000 h	Luminous intensity (min.)	10900 cd
Life to 20% failures (nom.)	12000 h	Luminous intensity (nom.)	14500 cd
Life to 50% failures (nom.)	15000 h	Beam description	-
ANSI code HID	C156/O	Lumen maintenance 12,000 hours (nom.)	75 %
Switching cycle	1350X	Lumen maintenance 2,000 hours (nom.)	90 %
	Narrow Cone	Lumen maintenance 4,000 hours (nom.)	85 %
		Chromaticity coordinate X (nom.)	0.434
		Chromaticity coordinate Y (nom.)	0.398
		Correlated Colour Temperature (Nom)	3000 K
		Luminous efficacy (rated) (nom.)	49 lm/W
		Colour-rendering index (min.)	81
		Colour rendering index (nom.)	84
		LLMF at end of nominal lifetime (nom.)	70 %

MASTERCoulour CDM-Rm Elite Mini

Luminous flux in 90° cone (rated)	880 lm
-----------------------------------	--------

Operating and Electrical

Power (Rated) (Nom)	20.1 W
Re-ignition time (min.) (max.)	15 min
Warm-up time to 60% light (nom.)	120 s
Ignition time (max.)	30 s
Voltage (Max)	100 V
Voltage (Min)	90 V
Voltage (Nom)	95 V

Controls and Dimming

Dimmable	No
Run-up time 90% (max.)	3 min

Mechanical and Housing

Bulb shape	MR16 [2inch/50mm]
------------	--------------------

Approval and Application

Energy Efficiency Class	G
Mercury (Hg) content (max.)	3.5 mg
Mercury (Hg) content (nom.)	3.5 mg
Energy consumption kWh/1,000 hours	21 kWh

	473266
--	--------

UV

PET (NIOSH) (min.)	8 h/500lx
Damage factor D/fc (max.)	0.4

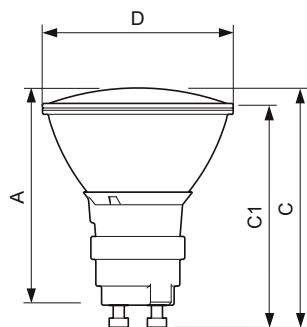
Luminaire Design Requirements

Reflector neck temperature (max.)	215 °C
-----------------------------------	--------

Product Data

Full product code	871829120274500
Order product name	MASTERCoulour CDM-Rm Elite Mini 20W/830 GX10 MR16 10D
EAN/UPC – product	8718291202745
Order code	20274500
Local order code	20CDMRM83010
SAP numerator – quantity per pack	1
Numerator – packs per outer box	12
SAP material	928191005331
SAP net weight (piece)	0.047 kg
ILCOS code	MRS/UB-20/830-H-GX10-51/54.5/10

Dimensional drawing



CDM-Rm 20W/830 GX10 MR16 10D

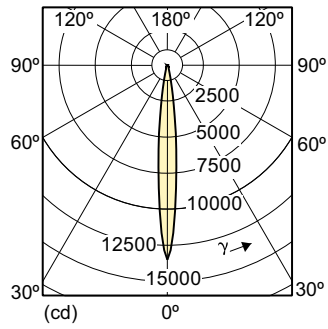
Product	D (max)	D	C (max)	C	C1 (max)	A (max)
MASTERCoulour CDM-Rm Elite Mini 20W/830 GX10 MR16 10D	51 mm	50 mm	65.4 mm	62.75 mm	60.9 mm	59 mm

MASTERCLOUR CDM-Rm Elite Mini

Photometric data



MASTERCLOUR CDM-R Mini /830



Lifetime



MASTERCcolour CDM-Rm Elite Mini

