



MASTERCcolour CDM-T Elite



MASTERCcolour CDM-T Elite 100W/930 G12 1CT/12

Single-ended, high-efficiency Ceramic Metal Halide discharge lamp

Warnings and Safety

- Use only in totally enclosed luminaire, even during testing (IEC61167, IEC 62035, IEC60598)
- The luminaire must be able to contain hot lamp parts if the lamp ruptures
- Use only with electronic control gear. 35W & 70W lamps may also use electromagnetic gear.
- Control gear must include end-of-life protection (IEC61167, IEC 62035)
- A lamp breaking is extremely unlikely to have any impact on your health. If a lamp breaks, ventilate the room for 30 minutes and remove the parts, preferably with gloves. Put them in a sealed plastic bag and take it to your local waste facilities for recycling. Do not use a vacuum cleaner.

Product data

General information			
Cap base	G12 [G12]	Lumen maintenance 1,000 hours (nom.)	97 %
Operating position	UNIVERSAL [Any/Universal]	Lumen maintenance 12,000 hours (nom.)	85 %
Life to 5% failures (nom.)	12000 h	Lumen maintenance 10,000 hours (nom.)	87 %
Life to 10% failures (nom.)	14000 h	Lumen maintenance 2,000 hours (nom.)	95 %
Life to 20% failures (nom.)	16000 h	Lumen maintenance 4,000 hours (nom.)	93 %
Life to 50% failures (nom.)	20000 h	Lumen maintenance 5,000 hours (nom.)	92 %
ANSI code HID	C191/E	Chromaticity coordinate X (nom.)	0.434
	Sphere	Chromaticity coordinate Y (nom.)	0.398
		Correlated Colour Temperature (Nom)	3000 K
		Luminous efficacy (rated) (nom.)	110 lm/W
		Colour-rendering index (min.)	89
		Colour rendering index (nom.)	92
Light technical		Operating and electrical	
Colour Code	930 [CCT of 3,000 K]	Power (Rated) (Min)	100.0 W
Luminous flux (nom.)	11000 lm		
Luminous flux (rated) (nom.)	11000 lm		
Colour designation	Warm white (WW)		

MASTERColour CDM-T Elite

Power (Rated) (Nom)	100.1 W
Lamp current run-up (max.)	1.8 A
Ignition supply voltage (max.)	198 V
Ignition peak voltage (max.)	4500 V
Ignition supply voltage (min.)	198 V
Re-ignition time (min.) (max.)	15 min
Ignition time (max.)	30 s
Voltage (Max)	94 V
Voltage (Min)	82 V
Voltage (Nom)	88 V

Controls and dimming

Dimmable	No
Run-up time 90% (max.)	3 min

Mechanical and housing

Lamp Finish	Clear
Bulb shape	T19 [T 19mm]

Approval and application

Energy Efficiency Class	F
Mercury (Hg) content (max.)	10.1 mg
Mercury (Hg) content (nom.)	10.1 mg
Energy consumption kWh/1,000 hours	101 kWh
	473251

UV

PET (NIOSH) (min.)	8 h/500lx
Damage factor D/fc (max.)	0.2

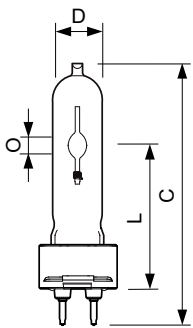
Luminaire design requirements

Bulb temperature (max.)	550 °C
Cap-base temperature (max.)	250 °C
Pinch temperature (max.)	350 °C

Product data

Full product code	872790087169200
Order product name	MASTERColour CDM-T Elite 100W/930 G12 1CT/12
EAN/UPC – product	8727900871692
Order code	87169200
Local order code	100CDMTELITE930
SAP numerator – quantity per pack	1
Numerator – packs per outer box	12
SAP material	928183205125
Copy Net Weight (Piece)	0.030 kg
ILCOS code	MT/UB-100/930-H-G12-21/100

Dimensional drawing

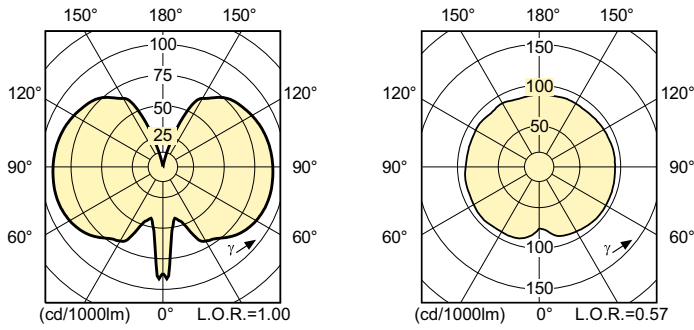


MASTERColour CDM-T Elite 100W/930 G12 1CT/12

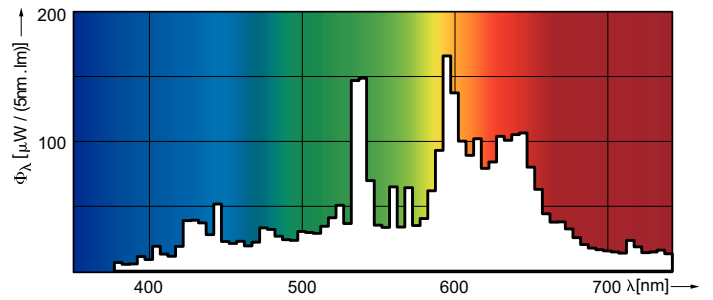
Product	D (max)	O	L (min)	L (max)	L	C (max)
MASTERColour CDM-T Elite 100W/930 G12 1CT/12	20 mm	8.5 mm	55 mm	57 mm	56 mm	110 mm

MASTERCoulour CDM-T Elite

Photometric data

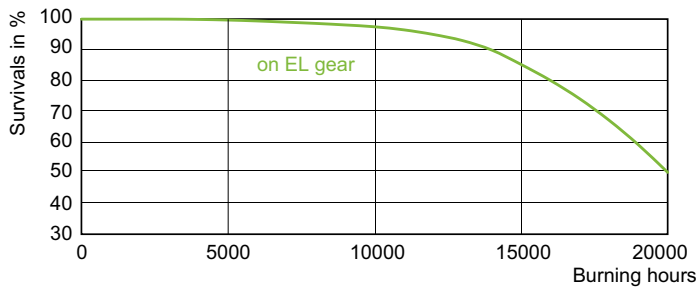


LDLD_CDM-T-E_0006-Light distribution diagram



LDPO_CDM-T-E_100W_930-Spectral power distribution Colour

Lifetime



LDLE_CDM-T-E_0006-Life expectancy diagram

