



MASTER CosmoWhite CPO-TW & CPO-TW Xtra



MST COSMOWH CPO-TW Xtra 140W/728 PGZ12

New-generation ceramic metal halide lamps used in Outdoor offering efficient and pleasant white light

Warnings and Safety

- Use only in totally enclosed luminaire, even during testing (IEC61167, IEC 62035, IEC60598)
- The luminaire must be able to contain hot lamp parts if the lamp ruptures
- Use only with electronic control gear
- Control gear must include end-of-life protection (IEC61167, IEC 62035)

Product data

General Information		Light Technical	
Cap base	PGZ12 [PGZ12]	LSF 20000 h Rated	90 %
Operating position	UNIVERSAL [Any/Universal]	LSF 24000 h Rated	80 %
Life to 5% failures (nom.)	18000 h	LSF 30000 h Rated	50 %
Life to 10% failures (nom.)	20000 h		Sphere
Life to 20% failures (nom.)	24000 h		
Life to 50% failures (nom.)	30000 h		
ANSI code HID	C189/E	Colour Code	728 [CCT of 2,800 K]
LSF 2000 h Rated	99 %	Luminous flux (nom.)	17600 lm
LSF 4000 h Rated	99 %	Luminous flux (rated) (nom.)	17600 lm
LSF 6000 h Rated	99 %	Colour designation	White (WH)
LSF 8000 h Rated	99 %	Chromaticity coordinate X (nom.)	0.447
LSF 12000 h Rated	99 %	Chromaticity coordinate Y (nom.)	0.4
LSF 16000 h Rated	97 %	Correlated Colour Temperature (Nom)	2800 K
		Luminous efficacy (rated) (nom.)	125 lm/W

MASTER CosmoWhite CPO-TW & CPO-TW Xtra

Colour rendering index (nom.)	72
LLMF 2000 h Rated	94 %
LLMF 4000 h Rated	93 %
LLMF 6000 h Rated	92 %
LLMF 8000 h Rated	91 %
LLMF 12000 h Rated	89 %
LLMF 16000 h Rated	88 %
LLMF 20000 h Rated	87 %
LLMF 24000 h Rated	86 %
Ratio scotopic/photopic lumens	1.30

Operating and Electrical

Power (Rated) (Nom)	141.0 W
Ignition peak voltage (max.)	5000 V
Re-ignition time (min.) (max.)	900 s
Ignition time (max.)	30 s
Voltage (Max)	100 V
Voltage (Min)	88 V
Voltage (Nom)	94 V

Controls and Dimming

Dimmable	Yes
Run-up time 90% (max.)	4 min

Mechanical and Housing

Lamp Finish	Clear
Bulb shape	T19 [T 19mm]

Approval and Application

Energy Efficiency Class	E
-------------------------	---

Mercury (Hg) content (max.)	3.9 mg
Mercury (Hg) content (nom.)	3.9 mg
Energy consumption kWh/1,000 hours	141 kWh
	473349

UV

PET (NIOSH) (min.)	8 h/500lx
Damage factor D/fc (nom.)	0.14

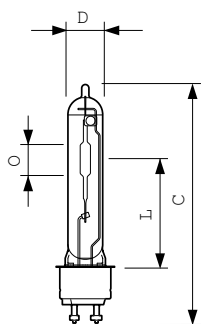
Luminaire Design Requirements

Bulb temperature (max.)	550 °C
Cap-base temperature (max.)	300 °C

Product Data

Full product code	871150020853815
Order product name	MASTER CosmoWhite CPO-TW Xtra 140W/728 PGZ12
EAN/UPC – product	8711500208538
Order code	20853815
Local order code	140CPOTW728
SAP numerator – quantity per pack	1
Numerator – packs per outer box	12
SAP material	928088805127
SAP net weight (piece)	0.040 kg
ILCOS code	MT-140/728-H-PGZ12-20/150

Dimensional drawing

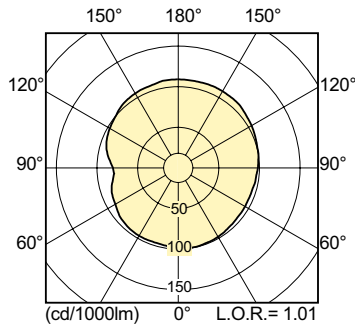


CPO-TW Xtra 140W/728 PGZ12

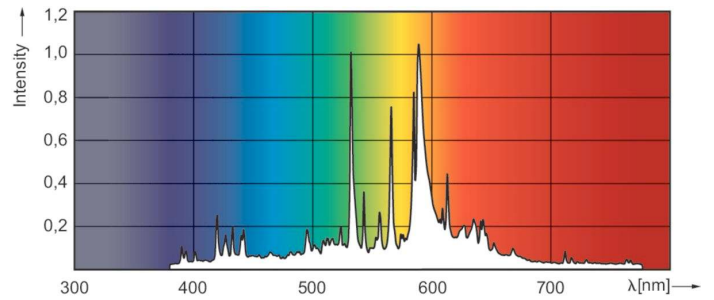
Product	D (max)	D	O	L	C (max)
MASTER CosmoWhite CPO-TW Xtra 140W/728 PGZ12	20 mm	19 mm	22 mm	66 mm	150 mm

MASTER CosmoWhite CPO-TW & CPO-TW Xtra

Photometric data

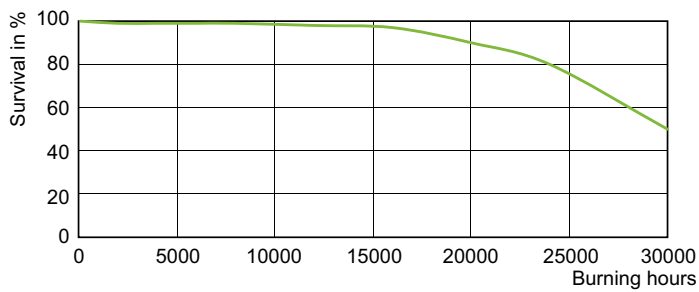


LDLD_CPO-TW_0005-Light distribution diagram

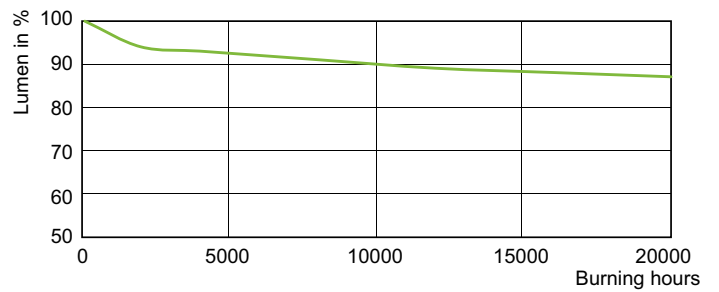


LDPO_CPO-TW_Xtra_140W_728-Spectral power distribution Colour

Lifetime



LDLE_CPO-TW_0003-Life expectancy diagram



LDLM_CPO-TW_0006-Lumen maintenance diagram

