



MASTER CosmoWhite CPO-TW & CPO-TW Xtra

MASTER CosmoWhite CPO-TW Xtra 45W/628 PGZ12

New-generation ceramic metal halide lamps used in Outdoor offering efficient and pleasant white light

Warnings and Safety

- Use only in totally enclosed luminaire, even during testing (IEC61167, IEC 62035, IEC60598)
- The luminaire must be able to contain hot lamp parts if the lamp ruptures
- Use only with electronic control gear
- Control gear must include end-of-life protection (IEC61167, IEC 62035)

Product data

General Information	
Cap base	PGZ12 [PGZ12]
Operating position	UNIVERSAL [Any/Universal]
Life to 5% failures (nom.)	21500 h
Life to 10% failures (nom.)	24000 h
Life to 20% failures (nom.)	27000 h
Life to 50% failures (nom.)	32000 h
ANSI code HID	C196/E
LSF 2000 h Rated	99 %
LSF 4000 h Rated	99 %
LSF 6000 h Rated	99 %
LSF 8000 h Rated	99 %
LSF 12000 h Rated	99 %

LSF 16000 h Rated	99 %
LSF 20000 h Rated	97 %
LSF 24000 h Rated	90 %
LSF 30000 h Rated	63 %
	Sphere
Light Technical	
Colour Code	628 [CCT of 2,800 K]
Luminous flux (nom.)	4900 lm
Luminous flux (rated) (nom.)	4900 lm
Colour designation	White (WH)
Chromaticity coordinate X (nom.)	0.447
Chromaticity coordinate Y (nom.)	0.4

MASTER CosmoWhite CPO-TW & CPO-TW Xtra

Correlated Colour Temperature (Nom)	2800 K
Luminous efficacy (rated) (nom.)	110 lm/W
Colour-rendering index (min.)	63
Colour rendering index (nom.)	66
LLMF 2000 h Rated	92 %
LLMF 4000 h Rated	90 %
LLMF 6000 h Rated	90 %
LLMF 8000 h Rated	90 %
LLMF 12000 h Rated	89 %
LLMF 16000 h Rated	87 %
LLMF 20000 h Rated	86 %
LLMF 24000 h Rated	84 %
LLMF 30000 h Rated	82 %
Ratio scotopic/photopic lumens	1.15

Operating and Electrical

Power (Rated) (Nom)	44.5 W
Ignition peak voltage (max.)	5000 V
Re-ignition time (min.) (max.)	900 s
Ignition time (max.)	30 s
Voltage (Max)	98 V
Voltage (Min)	84 V
Voltage (Nom)	91 V

Controls and Dimming

Dimmable	Yes
Run-up time 90% (max.)	4 min

Mechanical and Housing

Lamp Finish	Clear
Bulb shape	T19 [T 19mm]

Approval and Application

Energy Efficiency Class	F
Mercury (Hg) content (max.)	2 mg
Mercury (Hg) content (nom.)	2.0 mg
Energy consumption kWh/1,000 hours	45 kWh
	473336

UV

PET (NIOSH) (min.)	8 h/500lx
PET (NIOSH) (nom.)	20 h/500lx
Damage factor D/fc (nom.)	0.21

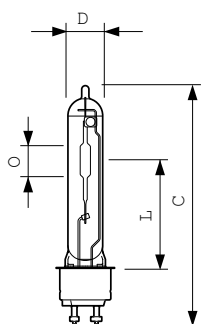
Luminaire Design Requirements

Bulb temperature (max.)	380 °C
Cap-base temperature (max.)	250 °C

Product Data

Full product code	871829115001500
Order product name	MASTER CosmoWhite CPO-TW Xtra 45W/628 PGZ12
EAN/UPC – product	8718291150015
Order code	15001500
SAP numerator – quantity per pack	1
Numerator – packs per outer box	12
SAP material	928083805127
SAP net weight (piece)	0.034 kg
ILCOS code	MT-45/628-H-PGZ12-20/132

Dimensional drawing

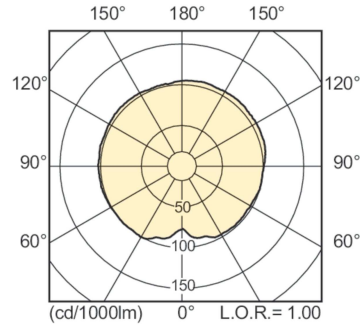
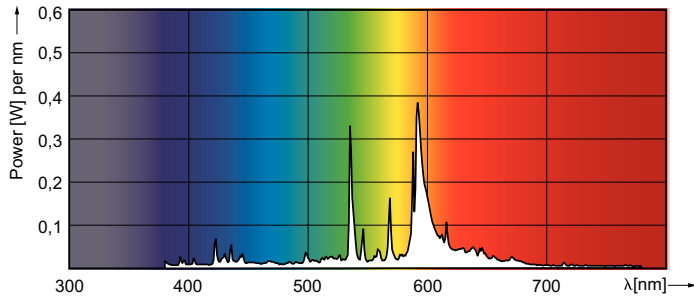


MASTER CosmoWhite CPO-TW Xtra 45W/628 PGZ12

Product	D (max)	D	O	L	C (max)
MASTER CosmoWhite CPO-TW Xtra 45W/628 PGZ12	20 mm	19 mm	14 mm	59 mm	132 mm

MASTER CosmoWhite CPO-TW & CPO-TW Xtra

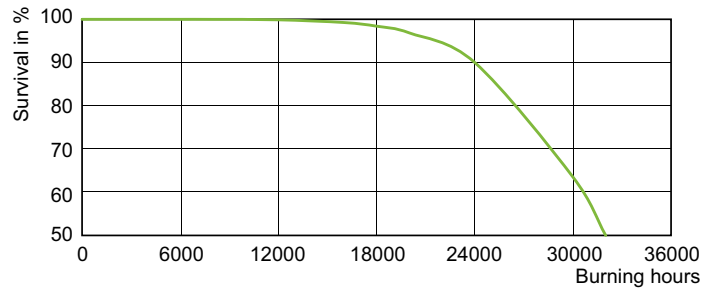
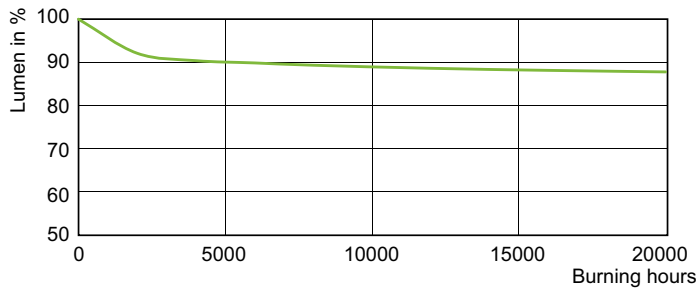
Photometric data



LDPO_CPO-TW_45W_628-Spectral power distribution Colour

LDLD_CPO-TW_0001-Light distribution diagram

Lifetime



LDLM_CPO-TW_0001-Lumen maintenance diagram

LDLE_CPO-TW_0006-Life expectancy diagram

