



DynaVision Programmable Xtreme for SON

HID-DV PROG Xt 70 SON Q 208-277V

Highly reliable and flexible electronic drivers for SON lamps; designed to save energy via integrated controls, and to reduce maintenance costs thanks to 80,000-hour lifetime and integrated lightning protection. The DynaVision Programmable product family is the perfect basis for any sort of lighting management solution.

Product data

General Information	
Remarks	UK importer address: Signify Commercial UK Limited, 3, Guildford Business Park, GU2 8XG
Application code	-
Type version	-
Lamp type	SON
Number of lamps	1 piece/unit
Suitable for outdoor use	Yes
Number of products on MCB (16 A type B) (nom.)	11
Default lamp selected	SON70
Automatic restart	Yes

Operating and Electrical	
Input Voltage	208-240-277 V
Input frequency	50 to 60 Hz
Minimum mains voltage operation (min.)	172 V

Operating frequency (nom.)	0.40 kHz
Power factor 100% load (nom.)	0.98
Ignition voltage (max.)	5.0 kV
Ignition switch-off time (max.)	20 min
Mains voltage performance (AC)	188-305V
Mains voltage safety (AC)	160-305V
Earth leakage current (max.)	0.7 mA
Output peak voltage (max.)	250 V
Inrush current width	0.24 ms
Lamp power tolerance	-3%/+3%
Input current (nom.)	0.39 A
Inrush current peak (nom.)	28 A
Efficiency at full load [%]	89.01 %

Wiring	
Cable capacity output wires mutual (nom.)	1000 pF
Cable length from device to lamp	10 m
Wire strip length	10.0-11.0 mm

DynaVision Programmable Xtreme for SON

Ballast contact wire cross section	0.50-2.50 mm ²
Connector type	WAGO series 804

System characteristics

Rated ballast-lamp power	70 W
System power on CDO	-
Lamp power on CDO	-
Power loss on CDO	-
Rated lamp power on Son	70 W
System power on Son	78 W
Lamp power on Son	70 W
Power loss on Son	8 W
Power loss on Son while dimming	5 W

Temperature

T-ambient (max.)	55 °C
T-ambient (min.)	-30 °C
T storage (max.)	55 °C
T storage (min.)	-30 °C
T-case lifetime (nom.)	80 °C
T-case switch off (min.)	92 °C

Controls and Dimming

Control interface	PROG
Programmable lamp settings	CPO45/CPO60/SON50/SON70/CDO50/ CDO70
Pre-set integrated controls	Dali
Programmable dimming options	ALO/CLO/Dynadim/Lineswitch/AmpDim
Run-up time before dimming	10 min
Fade-down rate	1.2 %/sec
Fade-up rate	17.8 %/sec
Regulating level	29%-100%

Mechanical and Housing

Housing	Q
---------	---

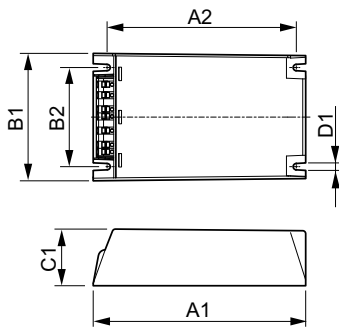
Approval and Application

Surge protection (common/differential)	EN61547 (L-L 2kV, L-G 4kV), 10kV TIL kV
IP luminaire classification	34
Active temperature protection	Yes
EMI 9 kHz ... 300 MHz	CISPR 15 ed 7.2
EMI 30 MHz ... 1,000 MHz	-
Safety standard	IEC 607, 609, 926, 928 [No Standard for HID Lamp drivers exists. Requirements in these standards to be used if considered relevant for the product.]
Quality standard	ISO 9000:2000
Environmental standard	ISO 14001
Harmonic current emission standard	IEC 61000-3-2
Vibration standard	IEC 68-2-6 Fc (10-150Hz, 2G)
Bumps standard	IEC 68-2-29 Eb (10G/16ms)
Humidity standard	EN 61347-2-12 clause 11
Approval marks	F-Marking CE marking ENEC certificate VDE-EMV certificate
Humming and noise level	< 30 dB(A)

Product Data

Full product code	871829166926500
Order product name	HID-DV PROG Xt 70 SON Q 208-277V
EAN/UPC – product	8718291669265
Order code	66926500
Local order code	DVPROGXT70SONQ
SAP numerator – quantity per pack	1
Numerator – packs per outer box	12
SAP material	913700693466
SAP net weight (piece)	0.820 kg

Dimensional drawing



HID-DV PROG Xt 70 SON Q 208-277V

Product	D1	C1	A1	A2	B1	B2
HID-DV PROG Xt 70	4.5 mm	40.0	150.0	133.6	90.0	70.0
SON Q 208-277V		mm	mm	mm	mm	mm

DynaVision Programmable Xtreme for SON

