



# DynaVision Programmable Xtreme for CDO

## HID-DV PROG Xt 70 CDO Q 208-277V

Highly reliable and flexible electronic drivers for CDO lamps; designed to save on energy costs via integrated controls and to reduce maintenance costs thanks to 80,000 hour lifetime and integrated lightning protection. The DynaVision Programmable product family is the perfect basis for any sort of lighting management solution.

### Product data

General Information			
Remarks	UK importer address: Signify Commercial UK Limited, 3, Guildford Business Park, GU2 8XG	Power factor 100% load (nom.)	0.98
Type version	-	Ignition voltage (max.)	5 kV
Lamp type	CDO	Ignition switch-off time (max.)	20 min
Number of lamps	1 piece/unit	Mains voltage performance (AC)	188-305V
Number of products on MCB (16 A type B) (nom.)	11	Mains voltage safety (AC)	160-305V
Default lamp selected	CDO70	Power factor 50% load (min.)	0.97
Automatic restart	Yes	Earth leakage current (max.)	0.7 mA
Operating and Electrical		Output peak voltage (max.)	250 V
Input Voltage	208-240-277 V	Inrush current width	0.24 ms
Input frequency	50 to 60 Hz	Lamp power tolerance	-3%/+3%
Minimum mains voltage operation (min.)	172 V	Input current (nom.)	0.39 A
Operating frequency (nom.)	0.40 kHz	Inrush current peak (nom.)	28 A
		Efficiency at full load [%]	89.01 %
		Wiring	
		Cable capacity output wires mutual (nom.)	1000 pF
		Cable length from device to lamp	10 m

# DynaVision Programmable Xtreme for CDO

Wire strip length	10.0-11.0 mm
Ballast contact wire cross section	0.50-2.50 mm <sup>2</sup>
Connector type	WAGO series 804

## System characteristics

Rated ballast-lamp power	70 W
Rated lamp power on CDO	70 W
System power on CDO	81 W
Lamp power on CDO	73 W
Power loss on CDO	8 W
Power loss on CDO while dimming	6 W

## Temperature

T-ambient (max.)	55 °C
T-ambient (min.)	-30 °C
T storage (max.)	55 °C
T storage (min.)	-30 °C
T-case lifetime (nom.)	80 °C
T-case switch off (min.)	92 °C

## Controls and Dimming

Control interface	PROG
Programmable lamp settings	CPO45/CPO60/SON50/SON70/CDO50/ CDO70
Pre-set integrated controls	Dali
Programmable dimming options	ALO/CLO/Dynadim/Lineswitch/AmpDim
Run-up time before dimming	10 min
Fade-down rate	0.6 %/sec
Fade-up rate	5.3 %/sec
Regulating level	68%-100%

## Mechanical and Housing

Housing	Q
---------	---

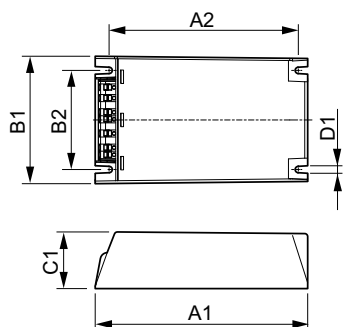
## Approval and Application

Surge protection (common/differential)	EN61547 (L-L 2kV, L-G 4kV), 10kV TIL kV
IP luminaire classification	34
Active temperature protection	Yes
EMI 9 kHz ... 300 MHz	CISPR 15 ed 7.2
EMI 30 MHz ... 1,000 MHz	-
Safety standard	IEC 607, 609, 926, 928 [ No Standard for HID Lamp drivers exists. Requirements in these standards to be used if considered relevant for the product.]
Quality standard	ISO 9000:2000
Environmental standard	ISO 14001
Harmonic current emission standard	IEC 61000-3-2
Vibration standard	IEC 68-2-6 Fc (10-150Hz, 2G)
Bumps standard	IEC 68-2-29 Eb (10G/16ms)
Humidity standard	EN 61347-2-12 clause 11
Approval marks	F-Marking CE marking ENEC certificate VDE-EMV certificate
Humming and noise level	< 30 dB(A)

## Product Data

Full product code	871829166918000
Order product name	HID-DV PROG Xt 70 CDO Q 208-277V
EAN/UPC – product	8718291669180
Order code	66918000
Local order code	DVPROGXT70CDOQ
SAP numerator – quantity per pack	1
Numerator – packs per outer box	12
SAP material	913700693066
SAP net weight (piece)	0.820 kg

## Dimensional drawing



HID-DV PROG Xt 70 CDO Q 208-277V

Product	D1	C1	A1	A2	B1	B2
HID-DV PROG Xt 70	4.5 mm	40.0	150.0	133.6	90.0	70.0
CDO Q 208-277V		mm	mm	mm	mm	mm

## DynaVision Programmable Xtreme for CDO

