



HF-Regulator Intelligent Touch DALI for TL5/TL-D/PL-L lamps

HF-Ri TD 3 14/24 TL5 E+ 195-240V

This intelligent high-frequency electronic dimming ballast utilizes the DALI or Touch and Dim push-button protocol for fluorescent lamps. It meets A1BAT requirements, thereby pre-empting upcoming legislation. With a special command you can retrieve the system's mains power consumption, and with another you can find out which lamp wattage is connected. Combined with controls, additional energy savings can be achieved.

Product data

General Information	
Remarks	UK importer address: Signify Commercial UK Limited, 3, Guildford Business Park, GU2 8XG
Application code	E+
Type version	mk3
Lamp type	TL5
Number of lamps	3 piece/unit
Number of products on MCB (16 A type B) (nom.)	16
Automatic restart	Yes

Operating and Electrical	
Input Voltage	195-240 V
Input frequency	50 to 60 Hz
Operating frequency (max.)	110 kHz
Operating frequency (min.)	45 kHz
Ignition method	Warm Start
Crest factor (max.)	1.7
Power factor 100% load (nom.)	0.95
Ignition time (max.)	1 s
Mains voltage performance (AC)	-8%~+6%
Mains voltage safety (AC)	-10%~+10%
Earth leakage current (max.)	0.5 mA
Inrush current width	0.26 ms

HF-Regulator Intelligent Touch DALI for TL5/TL-D/PL-L lamps

Standby power consumption (max.)	0.25 W
Ballast factor (nom.)	1.0
Inrush current peak (max.)	31 A
Efficiency at full load [%]	90.53999999999999 %

Wiring

Connector type input terminals	WAGO 251 universal connector [Suitable for both automatic wiring (ALF and ADS) and manual wiring]
Cable capacity output wires mutual (max.)	200 pF
Connector type output terminals	WAGO 251 universal connector [Suitable for both automatic wiring (ALF and ADS) and manual wiring]
Connector type control input terminals	WAGO 251 universal connector [Suitable for both automatic wiring (ALF and ADS) and manual wiring]
Wire strip length	8.0-9.0 mm
Dual fixture master/slave	Yes [Master/Slave operation possible]
Control input terminal cross section	0.50-1.00 mm ²
Input terminal cross section	0.50-1.00 mm ²
Output terminal cross section	0.50-1.00 mm ²
Auto-insert (ALF/ADS) wire cross section	0.75 mm ²
Cable capacity output wires to earth (max.)	200 pF

System characteristics

Rated ballast-lamp power	14/24 W
Rated lamp power on TL-D	18 W
System power on TL-D	57.6 W
Lamp power on TL-D	17 W
Power loss on TL-D	6.6 W
Rated lamp power on PL-L	18/24 W
System power on PL-L	50.3/75.2 W
Lamp power on PL-L	15/22.9 W
Power loss on PL-L	5.3/6.5 W
Rated lamp power on TL5	14/24 W
System power on TL5	49.1/77.2 W
Lamp power on TL5	15/23.3 W
Power loss on TL5	4.1/7.3 W
Rated lamp power on TL5 ECO	13/20 W
System power on TL5 ECO	43.5/66.5 W
Lamp Power on TL5 ECO	13.6/20.1 W
Rated lamp power on TL-D ECO	16 W
System power on TL-D ECO	46.5 W
Power loss on TL-D ECO	5.4 W
Lamp power on TL-D ECO	13.7 W
Power loss on TL5 ECO	2.7/6.2 W

Temperature

T-ambient (max.)	50 °C
T-ambient (min.)	-25 °C
T storage (max.)	80 °C

T storage (min.)	-40 °C
T case lifetime (max.)	75 °C
T-Case maximum (max.)	75 °C
Stable lamp operation temperature	15 °C
T-Ignition (max.)	50 °C
T-Ignition (min.)	-25 °C

Controls and Dimming

Control interface	TD
Regulating level power	1%-100%
Control input protection	Yes (Basic insulation)

Mechanical and Housing

Housing	L 360x39x22
---------	-------------

Emergency Operation

Battery voltage lamp ignition	198-254 V
Battery voltage lamp operation	176-254

Approval and Application

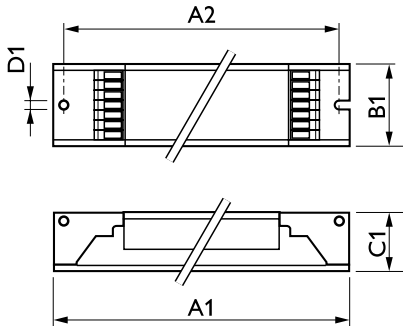
Energy efficiency index	A1 BAT
IP classification	IP 20 [Ingress Protection 20]
EMI 9 kHz ... 30 MHz	EN55015
EMI 30 MHz ... 1,000 MHz	EN 55022 Class B
Safety standard	IEC 61347-2-3
Performance standard	IEC 60929
Quality standard	ISO 9000:2000
Environmental standard	ISO 14001
Harmonic current emission standard	IEC 61000-3-2
EMC immunity standard	IEC 61547
Vibration standard	IEC68-2-6 F c
Bumps standard	IEC 68-2-29 Eb
Humidity standard	EN 61347-2-3 clause 11
Approval marks	CE marking ENEC certificate VDE-EMV certificate
Temperature marking	Yes
Emergency standard	IEC 60598-2-22
Humming and noise level	Inaudible

Product Data

Full product code	871829115676500
Order product name	HF-Ri TD 3 14/24 TL5 E+ 195-240V
EAN/UPC – product	8718291156765
Order code	15676500
SAP numerator – quantity per pack	1
Numerator – packs per outer box	10
SAP material	913700679066
SAP net weight (piece)	0.377 kg

HF-Regulator Intelligent Touch DALI for TL5/TL-D/PL-L lamps

Dimensional drawing



Product	D1	C1	A1	A2	B1
HF-Ri TD 3 14/24 TL5 E+ 195-240V	4.2 mm	22.0 mm	360.0 mm	350.0 mm	39.0 mm

HF-Ri TD 3 14/24 TL5 E+ 195-240V 50/60Hz

