



DynaVision Programmable Xtreme for SON

HID-DV PROG Xt 100 SON C1 208-277V

Highly reliable and flexible electronic drivers for SON lamps; designed to save energy via integrated controls, and to reduce maintenance costs thanks to 80,000-hour lifetime and integrated lightning protection. The DynaVision Programmable product family is the perfect basis for any sort of lighting management solution.

Product data

General Information	
Remarks	UK importer address: Signify Commercial UK Limited, 3, Guildford Business Park, GU2 8XG
Application code	-
Lamp type	SON
Number of lamps	1 piece/unit
Suitable for outdoor use	Yes
Number of products on MCB (16 A type B) (nom.)	5
Default lamp selected	SON100
Automatic restart	Yes
Operating and Electrical	
Input Voltage	208-240-277 V
Input frequency	50 to 60 Hz
Minimum mains voltage operation (min.)	172 V
Operating frequency (nom.)	0.40 kHz

Power factor 100% load (nom.)	0.99
Ignition voltage (max.)	5 kV
Ignition switch-off time (max.)	20 min
Mains voltage performance (AC)	188-305V
Mains voltage safety (AC)	160-305V
Earth leakage current (max.)	0.7 mA
Output peak voltage (max.)	250 V
Inrush current width	0.47 ms
Lamp power tolerance	-3%/+3%
Input current (nom.)	0.53 A
Inrush current peak (nom.)	52 A
Wiring	
Cable capacity output wires mutual (nom.)	1000 pF
Cable length from device to lamp	10 m
Wire strip length	10.0-11.0 mm
Ballast contact wire cross section	0.50-2.50 mm ²

DynaVision Programmable Xtreme for SON

Connector type	WAGO series 804
----------------	-----------------

System characteristics

Rated ballast-lamp power	100 W
Rated lamp power on Son	100 W
System power on Son	106 W
Lamp power on Son	98 W
Power loss on Son	8 W
Power loss on Son while dimming	5 W

Temperature

T-ambient (max.)	50 °C
T-ambient (min.)	-30 °C
T storage (max.)	50 °C
T storage (min.)	-30 °C
T-case lifetime (nom.)	80 °C
T-case switch off (min.)	92 °C

Controls and Dimming

Control interface	PROG
Programmable lamp settings	CPO90/SON100/CDO100
Pre-set integrated controls	Dali
Programmable dimming options	ALO/CLO/Dynadimmer/Linesitch/AmpDim
Run-up time before dimming	10 min
Fade-down rate	1.2 %/sec
Fade-up rate	16 %/sec
Regulating level	20%-100%

Mechanical and Housing

Housing	C1
---------	----

Approval and Application

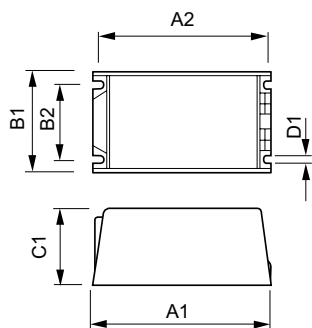
Surge protection (common/differential)	EN61547 (L-L 2kV, L-G 4kV), 10kV TIL kV
--	---

IP luminaire classification	34
Active temperature protection	Yes
EMI 9 kHz ... 300 MHz	CISPR 15 ed 7.2
EMI 30 MHz ... 1,000 MHz	CISPR15 Edition 7.2
Safety standard	IEC 607, 609, 926, 928 [No Standard for HID Lamp drivers exists. Requirements in these standards to be used if considered relevant for the product.]
Quality standard	ISO 9000:2000
Environmental standard	ISO 14001
Harmonic current emission standard	IEC 61000-3-2
Vibration standard	IEC 68-2-6 Fc (10-150Hz, 2G)
Bumps standard	IEC 68-2-29 Eb (10G/16ms)
Humidity standard	EN 61347-2-12 clause 11
Approval marks	F-Marking CE marking VDE-EMV certificate ENEC certificate
Humming and noise level	< 30 dB(A)

Product Data

Full product code	871829121224900
Order product name	HID-DV PROG Xt 100 SON C1 208-277V
EAN/UPC – product	8718291212249
Order code	21224900
Local order code	DVPROGXT100SON
SAP numerator – quantity per pack	1
Numerator – packs per outer box	12
SAP material	913700678766
SAP net weight (piece)	0.950 kg

Dimensional drawing



HID-DV PROG Xt 100 SON C1 208-277V

Product	D1	C1	A1	A2	B1	B2
HID-DV PROG Xt 100	5.0 mm	65.0	150.0	135.9	65.0	46.8
SON C1 208-277V		mm	mm	mm	mm	mm

DynaVision Programmable Xtreme for SON

