



DynaVision Programmable Xtreme for CDO

HID-DV PROG Xt 70 CDO C1 208-277V

Highly reliable and flexible electronic drivers for CDO lamps; designed to save on energy costs via integrated controls and to reduce maintenance costs thanks to 80,000 hour lifetime and integrated lightning protection. The DynaVision Programmable product family is the perfect basis for any sort of lighting management solution.

Product data

| General Information | | | |
|--|---|---|----------|
| Remarks | UK importer address: Signify Commercial UK Limited, 3, Guildford Business Park, GU2 8XG | Power factor 100% load (nom.) | 0.98 |
| Type version | - | Ignition voltage (max.) | 5 kV |
| Lamp type | CDO | Ignition switch-off time (max.) | 20 min |
| Number of lamps | 1 piece/unit | Mains voltage performance (AC) | 188-305V |
| Number of products on MCB (16 A type B) (nom.) | 11 | Mains voltage safety (AC) | 160-305V |
| Default lamp selected | CDO70 | Power factor 50% load (min.) | 0.97 |
| Automatic restart | Yes | Earth leakage current (max.) | 0.7 mA |
| Operating and Electrical | | Output peak voltage (max.) | 250 V |
| Input Voltage | 208-240-277 V | Inrush current width | 0.24 ms |
| Input frequency | 50 to 60 Hz | Lamp power tolerance | -3%/+3% |
| Minimum mains voltage operation (min.) | 172 V | Input current (nom.) | 0.39 A |
| Operating frequency (nom.) | 0.40 kHz | Inrush current peak (nom.) | 28 A |
| | | Efficiency at full load [%] | 88.21 % |
| | | Wiring | |
| | | Cable capacity output wires mutual (nom.) | 1000 pF |
| | | Cable length from device to lamp | 10 m |

DynaVision Programmable Xtreme for CDO

| | |
|------------------------------------|---------------------------|
| Wire strip length | 10.0-11.0 mm |
| Ballast contact wire cross section | 0.50-2.50 mm ² |
| Connector type | WAGO series 804 |

System characteristics

| | |
|---------------------------------|------|
| Rated ballast-lamp power | 70 W |
| Rated lamp power on CDO | 70 W |
| System power on CDO | 81 W |
| Lamp power on CDO | 73 W |
| Power loss on CDO | 8 W |
| Power loss on CDO while dimming | 6 W |

Temperature

| | |
|--------------------------|--------|
| T-ambient (max.) | 50 °C |
| T-ambient (min.) | -30 °C |
| T storage (max.) | 50 °C |
| T storage (min.) | -30 °C |
| T-case lifetime (nom.) | 80 °C |
| T-case switch off (min.) | 92 °C |

Controls and Dimming

| | |
|------------------------------|---|
| Control interface | PROG |
| Programmable lamp settings | CPO45/CPO60/SON50/SON70/CDO50/ CDO70 |
| Pre-set integrated controls | Dali |
| Programmable dimming options | ALO/CLO/Dynadimmer/Linesitch/AmpDim |
| Run-up time before dimming | 5 min |
| Fade-down rate | 0.6 %/sec |
| Fade-up rate | 5.3 %/sec |
| Regulating level | 68%-100% |

Mechanical and Housing

| | |
|---------|----|
| Housing | C1 |
|---------|----|

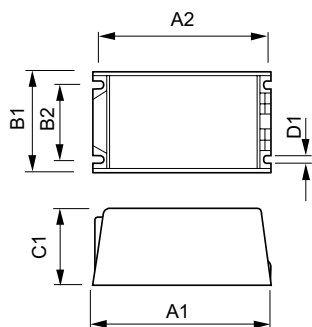
Approval and Application

| | |
|--|---|
| Surge protection (common/differential) | EN61547 (L-L 2kV, L-G 4kV), 10kV TIL kV |
| IP luminaire classification | 34 |
| Active temperature protection | Yes |
| EMI 9 kHz ... 300 MHz | CISPR 15 ed 7.2 |
| EMI 30 MHz ... 1,000 MHz | - |
| Safety standard | IEC 607, 609, 926, 928 [No Standard for HID Lamp drivers exists. Requirements in these standards to be used if considered relevant for the product.] |
| Quality standard | ISO 9000:2000 |
| Environmental standard | ISO 14001 |
| Harmonic current emission standard | IEC 61000-3-2 |
| Vibration standard | IEC 68-2-6 Fc (10-150Hz, 2G) |
| Bumps standard | IEC 68-2-29 Eb (10G/16ms) |
| Humidity standard | EN 61347-2-12 clause 11 |
| Approval marks | F-Marking CE marking ENEC certificate VDE-EMV certificate |
| Humming and noise level | < 30 dB(A) |

Product Data

| | |
|-----------------------------------|-----------------------------------|
| Full product code | 871829121214000 |
| Order product name | HID-DV PROG Xt 70 CDO C1 208-277V |
| EAN/UPC – product | 8718291212140 |
| Order code | 21214000 |
| Local order code | DVPROGXT70CDO |
| SAP numerator – quantity per pack | 1 |
| Numerator – packs per outer box | 12 |
| SAP material | 913700677866 |

Dimensional drawing



HID-DV PROG Xt 70 CDO C1 208-277V

| Product | D1 | C1 | A1 | A2 | B1 | B2 |
|-------------------|--------|------|-------|-------|------|------|
| HID-DV PROG Xt 70 | 5.0 mm | 65.0 | 150.0 | 135.9 | 65.0 | 46.8 |
| CDO C1 208-277V | | mm | mm | mm | mm | mm |

DynaVision Programmable Xtreme for CDO

