



PrimaVision Twin for CDM

HID-PV C 2x35 /S CDM 220-240V 50/60Hz

Dual CDM lamp operation, single HID electronic gear – improves cost effectiveness and increases luminaire design flexibility

Product data

General Information	
Remarks	UK importer address: Signify Commercial UK Limited, 3, Guildford Business Park, GU2 8XG
Application code	Int. Earth Loop
Design	-
Lamp type	CDM
Number of lamps	2 piece/unit
Suitable for outdoor use	No
Number of products on MCB (16 A type B) (nom.)	14
Automatic restart	Yes
Operating and Electrical	
Input Voltage	220 to 240 V
Input frequency	50 to 60 Hz
Operating frequency (nom.)	0.14 kHz
Power factor 100% load (nom.)	0.95
Ignition voltage (max.)	4.5 kV
Ignition switch-off time (nom.)	20 min
Mains voltage performance (AC)	-10%~+6%
Mains voltage safety (AC)	-18%~+10%
Earth leakage current (max.)	0.5 mA

Inrush current width	0.5 ms
Constant wattage deviation	-3%/+3%
Power losses (nom.)	8 W
Inrush current peak (max.)	33 A
Efficiency at full load [%]	90.33 %

Wiring

Cable capacity output wires mutual (nom.)	120 pF
Wire strip length	10.0-11.0 mm
Ballast contact wire cross section	0.50-2.50 mm ²
Connector type	Insert

System characteristics

Rated ballast-lamp power	35 W
--------------------------	------

Temperature

T-ambient (max.)	55 °C
T-ambient (min.)	-20 °C
T storage (max.)	80 °C
T storage (min.)	-25 °C
T-case lifetime (nom.)	70 °C

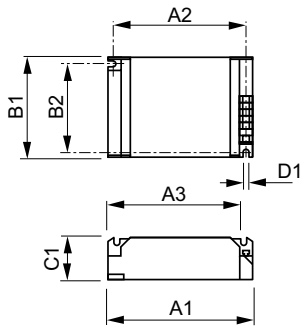
PrimaVision Twin for CDM

T-Case maximum (max.)	80 °C
Mechanical and Housing	
Housing	/S
Approval and Application	
Active temperature protection	Yes
EMI 9 kHz ... 300 MHz	CISPR 15 ed 7.2
Vibration standard	IEC68-2-6 F c
Bumps standard	IEC 68-2-29 Eb
Approval marks	F-Marking CE marking ENEC certificate CB Certificate
Humming and noise level	Inaudible

Product Data

Full product code	872790089572800
Order product name	HID-PV C 2x35 /S CDM 220-240V 50/60Hz
EAN/UPC – product	8711500881892
Order code	89572800
Local order code	PVC2X35SCDM
SAP numerator – quantity per pack	1
Numerator – packs per outer box	12
SAP material	913700656866
SAP net weight (piece)	0.271 kg

Dimensional drawing



HID-PV C 2x35 /S CDM 220-240V 50/60Hz

Product	D1	C1	A1	A2	B1	B2
HID-PV C 2x35 /S	4.5 mm	32.0	135.0	123.5	75.0	63.5
CDM 220-240V		mm	mm	mm	mm	mm
50/60Hz						

