

# PHILIPS

# Lighting



## HF-Performer III for PL-T/C lamps

### HF-P 1/226 PL-T/C III 220-240V 50/60Hz

HF-Performer III PL-T/C is a sustainable, slim and high-frequency electronic ballast for PL-T and PL-C fluorescent lamps. It is ideal for applications where high energy efficiency is required. The HF-Performer III range has a robust design, meets all relevant international safety and performance standards and is energy efficient (CELMA EEI A2).

#### Product data

General Information	
Remarks	UK importer address: Signify Commercial UK Limited, 3, Guildford Business Park, GU2 8XG
Application code	III
Lamp type	PL-T/C
Number of lamps	2 piece/unit
Number of products on MCB (16 A type B) (nom.)	28
Automatic restart	Yes

Operating and Electrical	
Input Voltage	220 to 240 V
Input frequency	50 to 60 Hz
Operating frequency (max.)	- kHz
Operating frequency (min.)	42 kHz
Operating frequency (nom.)	45 kHz
Ignition method	Warm Start
Crest factor (max.)	1.7
Power factor 100% load (nom.)	0.95

Ignition time (max.)	0.65 s
Mains voltage performance (AC)	-8% - +6%
Mains voltage safety (AC)	-10% - +10%
Earth leakage current (nom.)	0.5 mA
Inrush current width	0.250 ms
Constant wattage deviation	-2% / +2%
Ballast factor (nom.)	1
Power losses (nom.)	4.25-3.59 W
Inrush current peak (max.)	18 A
Efficiency at full load [%]	88.62 %

Wiring	
Connector type input terminals	Insert
Cable capacity output wires mutual (nom.)	100 pF
Connector type output terminals	Insert
Cable length from device to lamp	1 m
Cable length hot-wiring	1 m
Wire strip length	8.5-9.5 mm
Dual fixture master/slave	Not applicable [ Master/Slave oper. not applicable]

## HF-Performer III for PL-T/C lamps

Input terminal cross section	0.50-1.50 mm <sup>2</sup>
Output terminal cross section	0.50-1.50 mm <sup>2</sup>
Cable capacity output wires to earth (nom.)	100 pF

### System characteristics

Rated ballast-lamp power	26 W
Rated lamp power on PL-T/C	2x26/26 W
System power on PL-T/C	50.6/27.2 W
Power loss on PL-T/C	5.63/3.61 W
Lamp power on PL-T/C	45/23.63 W

### Temperature

T-ambient (max.)	50 °C
T-ambient (min.)	-25 °C
T storage (max.)	80 °C
T storage (min.)	-40 °C
T-case lifetime (nom.)	75 °C
T-Case maximum (max.)	75 °C
T-Ignition (max.)	50 °C
T-Ignition (min.)	-25 °C

### Mechanical and Housing

Housing	S 103x67x30
---------	-------------

### Emergency Operation

Nominal light output after 60 seconds	100% of EBLF
Battery voltage lamp ignition	198-254 V
Normal operating voltage (DC)	220-240 V
Battery voltage lamp operation	176-254
Battery voltage guaranteed operation	176-275 V
Battery voltage guaranteed ignition	186-275 V
Nominal light output after 5 seconds	50% of EBLF

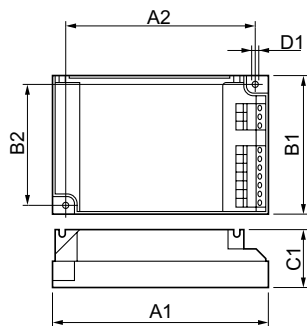
### Approval and Application

Energy efficiency index	A2/A2BAT
IP classification	IP 20 [ Ingress Protection 20]
EMI 9 kHz ... 30 MHz	EN55015
Safety standard	IEC 61347-2-3
Performance standard	IEC 60929
Quality standard	ISO 9000:2000
Environmental standard	ISO 14001
Harmonic current emission standard	IEC 61000-3-2
EMC immunity standard	IEC 61547
Vibration standard	IEC68-2-6 F c
Bumps standard	IEC 68-2-29 Eb
Humidity standard	EN 61347-2-3 clause 11
Approval marks	CE marking ENEC certificate VDE-EMV certificate
Temperature marking	Yes
Emergency standard	IEC 60598-2-22
Humming and noise level	Inaudible

### Product Data

Full product code	872790083423900
Order product name	HF-P 1/226 PL-T/C III 220-240V
EAN/UPC – product	8711500881052
Order code	83423900
SAP numerator – quantity per pack	1
Numerator – packs per outer box	12
SAP material	913700648866
SAP net weight (piece)	0.130 kg

## Dimensional drawing



HF-P 1/226 PL-T/C III 220-240V 50/60Hz

Product	D1	C1	A1	A2	B1	B2
HF-P 1/226 PL-T/C III 220-240V	4.2 mm	30.0 mm	103.8 mm	93.5 mm	67.8 mm	57.5 mm

## HF-Performer III for PL-T/C lamps

