

# HF-Regulator II for PL-T/C

## HF-R 1 26-42 PL-T/C EII 220-240V 50/60Hz

Compact, lightweight High-Frequency electronic regulating ballast for PL-T and PL-C compact fluorescent lamps

### Product data

General Information		Electrical	
Remarks	UK importer address: Signify Commercial UK Limited, 3, Guildford Business Park, GU2 8XG	Earth leakage current (max.)	0.5 mA
Application code	EII	Inrush current width	0.35 ms
Type version	mk3	Constant wattage deviation	-2%/+2%
Lamp type	PL-T/C	Ballast factor (nom.)	0.99
Number of lamps	1 piece/unit	Power losses (nom.)	4.8-5.0 W
Number of products on MCB (16 A type B) (nom.)	28	Inrush current peak (max.)	27 A
Automatic restart	Yes	Efficiency at full load [%]	93 %
Operating and Electrical		Wiring	
Input Voltage	220 to 240 V	Connector type input terminals	Insert
Input frequency	50 to 60 Hz	Cable capacity output wires mutual (nom.)	30 pF
Operating frequency (max.)	100 kHz	Connector type output terminals	Insert
Operating frequency (min.)	40 kHz	Connector type control input terminals	Insert
Ignition method	Programmed Start	Wire strip length	7.5-8.5 mm
Crest factor (max.)	1.7	Dual fixture master/slave	Not applicable [ Master/Slave oper. not applicable]
Power factor 100% load (nom.)	0.95	Control input terminal cross section	0.50-1.50 mm <sup>2</sup>
Ignition time (max.)	1.5 s	Input terminal cross section	0.50-1.50 mm <sup>2</sup>
Mains voltage performance (AC)	-8%-+6%	Output terminal cross section	0.50-1.50 mm <sup>2</sup>
Mains voltage safety (AC)	-10%-+10%	Cable capacity output wires to earth (nom.)	75 pF

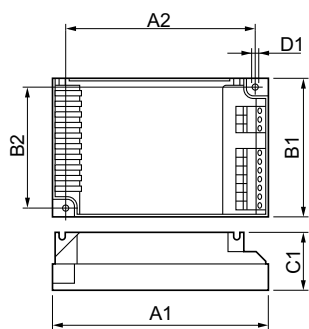
# HF-Regulator II for PL-T/C

System characteristics	
Rated ballast-lamp power	26-42 W
Temperature	
T-ambient (max.)	50 °C
T-ambient (min.)	-20 °C
T storage (max.)	80 °C
T storage (min.)	-25 °C
T-case lifetime (nom.)	65 °C
T-Case maximum (max.)	75 °C
Stable lamp operation temperature	Not Specified
T-Ignition (max.)	50 °C
T-Ignition (min.)	0 °C
Controls and Dimming	
Control interface	1-10V
Regulating level power	1%-100%
Control input protection	Yes (Basic insulation)
Mechanical and Housing	
Housing	S 123x79x33
Emergency Operation	
Battery voltage lamp ignition	198-254 V
Battery voltage lamp operation	176-254
Approval and Application	
Energy efficiency index	A1 BAT
IP classification	IP 20 [ Ingress Protection 20]

EMI 9 kHz ... 30 MHz	EN55015
EMI 30 MHz ... 1,000 MHz	EN55022 level B
Safety standard	IEC 61347-2-3
Performance standard	IEC 60929
Quality standard	ISO 9000:2000
Environmental standard	ISO 14001
Harmonic current emission standard	IEC 61000-3-2
EMC immunity standard	IEC 61547
Vibration standard	IEC68-2-6 F c
Bumps standard	IEC 68-2-29 Eb
Humidity standard	EN 61347-2-3 clause 11
Approval marks	CE marking ENEC certificate VDE-EMV certificate
Temperature marking	Yes
Emergency standard	IEC 60598-2-22
Humming and noise level	Inaudible

Product Data	
Full product code	872790080971800
Order product name	HF-R 1 26-42 PL-T/C EII 220-240V 50/60Hz
EAN/UPC – product	8711500880765
Order code	80971800
SAP numerator – quantity per pack	1
Numerator – packs per outer box	12
SAP material	913700626666
SAP net weight (piece)	0.200 kg

## Dimensional drawing



HF-R 1 26-42 PL-T/C EII 220-240V 50/60Hz

Product	D1	C1	A1	A2	B1	B2
HF-R 1 26-42 PL-T/C EII	4.5 mm	33.0	123.0	111.0	79.0	67.0
220-240V 50/60Hz		mm	mm	mm	mm	mm

## HF-Regulator II for PL-T/C

