



# HF-Performer Intelligent for TL5 HE/HO lamps

## HF-Pi 1 28/35/49/54 TL5 220-240V

HF-Performer Intelligent is a slim and lightweight high-frequency electronic ballast which makes it possible to exchange TL5 HE and HO lamps of the same length in order to maximize logistical flexibility in luminaire design and handling. With its smart power functionality based on Philips EII technology, HF-Performer Intelligent is optimized for maximum system efficiency (CELMA EEI A2 BAT) in combination with the TL5 and TL5 Eco lamp.

### Product data

General Information			
Remarks	UK importer address: Signify Commercial UK Limited, 3, Guildford Business Park, GU2 8XG	Crest factor (max.)	1.7
Application code	EII	Ignition time (max.)	5.0 s
Type version	mk1	Mains voltage performance (AC)	-8%~+6%
Lamp type	TL5	Mains voltage safety (AC)	-10%~+10%
Number of lamps	1 piece/unit	Earth leakage current (max.)	0.5 mA
Number of products on MCB (16 A type B) (nom.)	18	Inrush current width	0.35 ms
Automatic restart	Yes	Constant wattage deviation	-2%/+2%
		Ballast factor (nom.)	1.00
		Power losses (nom.)	4.8-7.0 W
		Inrush current peak (max.)	20 A
		Efficiency at full load [%]	90.86999999999999 %
Operating and Electrical		Wiring	
Input Voltage	220 to 240 V	Connector type input terminals	Insert
Input frequency	50 to 60 Hz	Cable capacity output wires mutual (nom.)	70 pF
Ignition method	Warm Start	Connector type output terminals	Insert

## HF-Performer Intelligent for TL5 HE/HO lamps

Cable length hot-wiring	0.75 m
Wire strip length	8.0-9.0 mm
Input terminal cross section	0.50-1.00 mm <sup>2</sup>
Output terminal cross section	0.50-1.00 mm <sup>2</sup>
Cable capacity output wires to earth (nom.)	70 pF

### System characteristics

Rated ballast-lamp power	28-54 W
Rated lamp power on TL5	28/35/49/54 W
System power on TL5	37.9/44.4/56.8/62.6 W
Lamp power on TL5	30.9/39.8/52.6/57.8 W
Power loss on TL5	7/4.6/4.2/4.8 W

### Temperature

T-ambient (max.)	50 °C
T-ambient (min.)	-25 °C
T storage (max.)	80 °C
T storage (min.)	-40 °C
T-case lifetime (nom.)	75 °C
T-Case maximum (max.)	75 °C
T-Ignition (max.)	50 °C
T-Ignition (min.)	-25 °C

### Mechanical and Housing

Housing	L360x30x22
---------	------------

### Emergency Operation

Nominal light output after 60 seconds	100% of EBLF
Battery voltage lamp operation	198-276
Emergency ballast lumen factor (EBLF) (nom.)	100 %
Nominal light output after 5 seconds	50% of EBLF

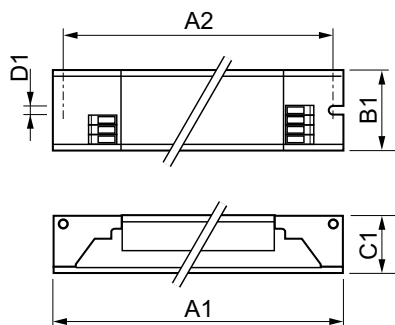
### Approval and Application

Energy efficiency index	A2 BAT
IP classification	IP 20 [ Ingress Protection 20]
EMI 9 kHz ... 30 MHz	EN55015
EMI 30 MHz ... 1,000 MHz	EN 55022 Class B
Safety standard	IEC 61347-2-3
Performance standard	IEC 60929
Quality standard	ISO 9000:2000
Environmental standard	ISO 14001
Harmonic current emission standard	IEC 61000-3-2
EMC immunity standard	IEC 61547
Vibration standard	IEC68-2-6 F c
Bumps standard	IEC 68-2-29 Eb
Humidity standard	EN 61347-2-3 clause 11
Approval marks	CE marking ENEC certificate VDE-EMV certificate
Temperature marking	Yes
Emergency standard	IEC 60598-2-22
Humming and noise level	Inaudible

### Product Data

Full product code	871150091496530
Order product name	HF-Pi 1 28/35/49/54 TL5 EII 220-240V
EAN/UPC – product	8711500914965
Order code	91496530
Local order code	HFPI128354954
SAP numerator – quantity per pack	1
Numerator – packs per outer box	12
SAP material	913700624166
SAP net weight (piece)	0.247 kg

## Dimensional drawing



HF-Pi 1 28/35/49/54 TL5 EII 220-240V

Product	D1	C1	A1	A2	B1
HF-Pi 1 28/35/49/54 TL5 EII 220-240V	4.2 mm	22 mm	360 mm	350 mm	30 mm

## HF-Performer Intelligent for TL5 HE/HO lamps

