



# HF-Regulator Intelligent Touch DALI for TL5/TL-D/PL-L lamps

## HF-R TD 280 TL5/PL-L EII 220-240V

This intelligent high-frequency electronic dimming ballast utilizes the DALI or Touch and Dim push-button protocol for fluorescent lamps. It meets A1BAT requirements, thereby pre-empting upcoming legislation. With a special command you can retrieve the system's mains power consumption, and with another you can find out which lamp wattage is connected. Combined with controls, additional energy savings can be achieved.

### Product data

General Information	
Remarks	UK importer address: Signify Commercial UK Limited, 3, Guildford Business Park, GU2 8XG
Application code	E+
Type version	mk1
Lamp type	TL5/PL-L
Number of lamps	2 piece/unit
Number of products on MCB (16 A type B) (nom.)	9
Automatic restart	Yes

Operating and Electrical	
Input Voltage	220 to 240 V
Input frequency	50 to 60 Hz
Operating frequency (max.)	- kHz
Operating frequency (min.)	- kHz
Ignition method	Warm Start
Crest factor (max.)	1.7
Power factor 100% load (nom.)	0.95
Ignition time (max.)	0.2 s
Mains voltage performance (AC)	-8%~+6%
Mains voltage safety (AC)	-10%~+10%
Earth leakage current (max.)	0.5 mA
Inrush current width	0.35 ms

## HF-Regulator Intelligent Touch DALI for TL5/TL-D/PL-L lamps

Standby power consumption (max.)	0.25 W
Ballast factor (nom.)	1.0
Power losses (nom.)	11.3 W
Inrush current peak (max.)	35 A
Efficiency at full load [%]	93.43 %

### Wiring

Connector type input terminals	WAGO 251 universal connector [ Suitable for both automatic wiring (ALF and ADS) and manual wiring]
Cable capacity output wires mutual (max.)	150 pF
Connector type output terminals	WAGO 251 universal connector [ Suitable for both automatic wiring (ALF and ADS) and manual wiring]
Connector type control input terminals	WAGO 251 universal connector [ Suitable for both automatic wiring (ALF and ADS) and manual wiring]
Wire strip length	8.0-9.0 mm
Dual fixture master/slave	- [ not specified]
Control input terminal cross section	0.50-1.00 mm <sup>2</sup>
Input terminal cross section	0.50-1.00 mm <sup>2</sup>
Output terminal cross section	0.50-1.00 mm <sup>2</sup>
Auto-insert (ALF/ADS) wire cross section	0.5 mm <sup>2</sup>
Cable capacity output wires to earth (max.)	150 pF

### System characteristics

Rated ballast-lamp power	80 W
--------------------------	------

### Temperature

T-ambient (max.)	50 °C
T-ambient (min.)	15 °C
T storage (max.)	80 °C
T storage (min.)	-40 °C
T case lifetime (max.)	75 °C
T-Case maximum (max.)	75 °C
Stable lamp operation temperature	Not Specified
T-Ignition (max.)	50 °C
T-Ignition (min.)	0 °C

### Controls and Dimming

Control interface	TD
Regulating level power	1%-100%

Control input protection	Yes (Basic insulation)
--------------------------	------------------------

### Mechanical and Housing

Housing	L 425x30x21
---------	-------------

### Emergency Operation

Battery voltage lamp ignition	220 V
Battery voltage lamp operation	154-276

### Approval and Application

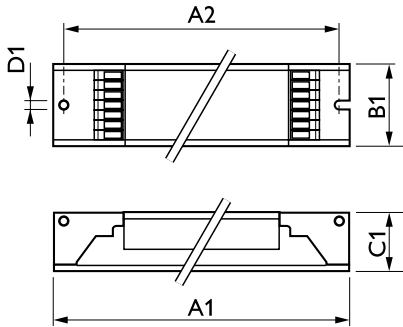
Energy efficiency index	A1
IP classification	IP 20 [ Ingress Protection 20]
EMI 9 kHz ... 30 MHz	EN55015
EMI 30 MHz ... 1,000 MHz	EN55022 level B
Safety standard	IEC 61347-2-3
Performance standard	IEC 60929
Quality standard	ISO 9000:2000
Environmental standard	ISO 14001
Harmonic current emission standard	IEC 61000-3-2
EMC immunity standard	IEC 61547
Vibration standard	IEC68-2-6 F c
Bumps standard	IEC 68-2-29 Eb
Humidity standard	EN 61347-2-3 clause 11
Approval marks	EMC CE marking ENEC certificate CCC certificate
Temperature marking	Yes
Emergency standard	IEC 60598-2-22
Humming and noise level	30 dB(A)

### Product Data

Full product code	871150091067730
Order product name	HF-Ri TD 280 TL5/PL-L E+ 220-240V
EAN/UPC – product	8711500910677
Order code	91067730
Local order code	HFRTD280TL5/PLL
SAP numerator – quantity per pack	1
Numerator – packs per outer box	12
SAP material	913700609666
SAP net weight (piece)	0.417 kg

## HF-Regulator Intelligent Touch DALI for TL5/TL-D/PL-L lamps

### Dimensional drawing



HF-R TD 280 TL5/PL-L E+

Product	D1	C1	A1	A2	B1
HF-Ri TD 280 TL5/PL-L E+ 220-240V	4.2 mm	22 mm	424 mm	415 mm	30 mm

