

HF-Matchbox Blue

HF-M BLUE 114 LH TL/PL-S/PL-C 230-240V

HF-Matchbox Blue is an affordable, reliable, compact, lightweight and high-frequency ballast for use with system wattages below 25 W in combination with TL mini, TL-D, TL5 and TL5c, PL-T/C, and PL-L/S lamps. The HF-M Blue range has a robust design, meets all relevant international safety and performance standards and has an energy efficiency index (CELMA EEI) of A2.

Product data

General Information		Colour input terminals	
Remarks	UK importer address: Signify Commercial UK Limited, 3, Guildford Business Park, GU2 8XG		Grey
Lamp type	TL/PL-S/PL-C	Colour output terminals	Grey
Number of lamps	1 piece/unit	Connector type output terminals	Insert
Number of products on MCB (16 A type B) (nom.)	101	Cable length from device to lamp	1.50 m
Automatic restart	Yes	Cable length hot-wiring	0.30 m
		Wire strip length	8.0-9.0 mm
		Input terminal cross section	0.50-1.50 mm ²
		Output terminal cross section	0.50-1.50 mm ²
Operating and Electrical		System characteristics	
Input Voltage	230 to 240 V	Rated ballast-lamp power	14 W
Input frequency	50 to 60 Hz	System power on PL-S	14.1 W
Power factor 100% load (nom.)	0.64	Rated lamp power on PL-S	14 W
Ignition time (max.)	0.5 s	Power loss on PL-S	2.2 W
Mains voltage performance (AC)	-8%~+6%	Lamp power on PL-S	11.9 W
Mains voltage safety (AC)	-10%~+10%	System power on PL-C	14.6 W
Power losses (nom.)	2.9 W	Rated lamp power on PL-C	14 W
Efficiency at full load [%]	86.7 %	Power loss on PL-C	2.4 W
		Lamp power on PL-C	12.2 W
		Lamp power on TL	11.8 W
		Rated lamp power on TL	14 W
		System power on TL	15.7 W
Wiring			
Connector type input terminals	Insert		

HF-Matchbox Blue

Power loss on TL	3.9 W
------------------	-------

Temperature

T-ambient (max.)	40 °C
T-ambient (min.)	-10 °C
T-Case maximum (max.)	75 °C

Mechanical and Housing

Housing	LH
---------	----

Emergency Operation

Battery voltage lamp ignition	194-254 V
-------------------------------	-----------

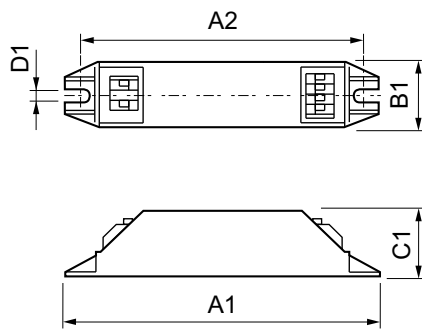
Approval and Application

IP classification	IP 20 [Ingress Protection 20]
Approval marks	F-Marking CE marking VDE certificate CB Certificate

Product Data

Full product code	871150053682230
Order product name	HF-M BLUE 114 LH TL/PL-S/PL-C 230-240V
EAN/UPC – product	8711500536822
Order code	53682230
Local order code	HFMBLUE114LH
SAP numerator – quantity per pack	1
Numerator – packs per outer box	50
SAP material	913700421766
SAP net weight (piece)	0.036 kg

Dimensional drawing



HF-M BLUE 114 LH TL/PL-S/PL-C 230-240V

Product

HF-M BLUE 114 LH TL/PL-S/PL-C 230-240V

