

Starsense Wireless

LLC7300/00 Starsense Wireless 1-10V/DALI

Starsense Wireless is a networked controls system based on two-way wireless communication using the latest in mesh network technology. The system enables individual light points to be controlled remotely and to be managed via online platforms, like CityTouch. Lighting operators can control remotely the outdoor lighting infrastructure setting dimming levels to achieve considerable energy savings and can get real time feedback from the luminaires reducing operating and maintenance costs via accurate scheduling of on-site maintenance service tasks, while improving both the quality and reliability of outdoor lighting.

Starsense Wireless is a networked controls system based on two-way wireless communication using the latest in mesh network technology. The system enables individual light points to be controlled remotely and to be managed via online platforms, like CityTouch. Lighting operators can control remotely the outdoor lighting infrastructure setting dimming levels to achieve considerable energy savings and can get real time feedback from the luminaires reducing operating and maintenance costs via accurate scheduling of on-site maintenance service tasks, while improving both the quality and reliability of outdoor lighting.

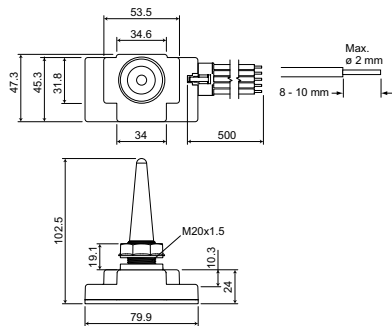
Product data

Product Data		Order code	
Full product code	871829118542000	Order code	18542000
Order product name	LLC7300/00 Starsense Wireless 1-10V/DALI	Local order code	LLC7300
EAN/UPC – product	8718291185420	SAP numerator – quantity per pack	1
		Numerator – packs per outer box	24

Starsense Wireless

SAP material	913700347903
SAP net weight (piece)	0.120 kg

Dimensional drawing



Starsense Wireless

