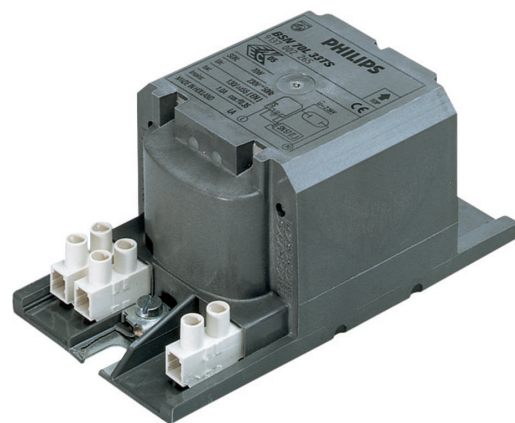


PHILIPS

Lighting



HID-HeavyDuty BSN semi-parallel for SON/CDO/MH/HPI

BSN 70 L34-TS 240V 50Hz HD1-118

Encapsulated electromagnetic copper/iron ballasts for use with an external semi-parallel ignitor for CDM, CDO, MH, HPI (Plus) and SON lamps

Product data

General Information	
Remarks	UK importer address: Signify Commercial UK Limited, 3, Guildford Business Park, GU2 8XG
Application code	L34-A2-TS
Design	HD1-118
Lamp type	SON/CDO
Number of lamps	1 piece/unit
Operating and Electrical	
Input Voltage	240 V
Input frequency	50 Hz
Power factor 100% load (nom.)	0.87
Mains voltage performance (AC)	-8%--+6%
Mains voltage safety (AC)	-10%--+10%
Input current with PF correction	0.45 A
Input current without PF Correction	1.00 A
Power factor without PF compensation (nom.)	0.35
Power losses (nom.)	11.5 W
Wiring	
Wire strip length	7.0 mm
Ballast contact wire cross section	0.70-6.00 mm ²
Connector type	Screw
System characteristics	
Capacitor	12µF/250V
Rated ballast-lamp power	70 W
Recommended ignitor	for SON/CDO lamps SND57 (913700184966) or series digital SUD10 (913700195891)
Temperature	
T storage (max.)	130 °C
T storage (min.)	-30 °C
T-winding (max.)	130 °C
Delta-T normal conditions	55 °C

HID-HeavyDuty BSN semi-parallel for SON/CDO/MH/HPI

Approval and Application

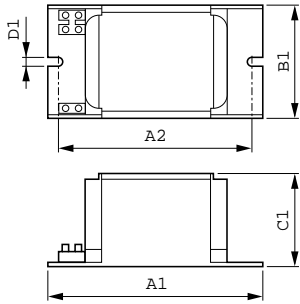
Active temperature protection	Yes
Approval marks	CE marking ENEC certificate

Product Data

Full product code	871150005970331
Order product name	BSN 70 L34-A2-TS 240V 50Hz HD1-118
EAN/UPC – product	8711500059703

Order code	05970331
Local order code	BSN70L34TS
SAP numerator – quantity per pack	1
Numerator – packs per outer box	6
SAP material	913700226626
SAP net weight (piece)	1.280 kg

Dimensional drawing



BSN 70 L34-TS 240V 50Hz HD1-118

Product	D1	C1	A1	A2	B1
BSN 70 L34-A2-TS 240V 50Hz HD1-118	6.2 mm	53.0 mm	118.0 mm	103.0 mm	65.0 mm

