



GreenSpace

DN470T LED20S/830 PSU D22H16 3C BK

LED Module, system flux 2000 lm - 830 warm white - Power supply unit - Reflector - Connection unit 3-pole - Finger-protected - Black - 217 mm

Customers want to strike the ideal balance between their initial investment and the cost of the installation during its lifetime. GreenSpace is a cost-efficient and sustainable downlight that can be used to replace conventional CFL downlights in general lighting applications. It features the latest LED technology, which enables extremely low power consumption, while delivering consistent light output, stable colour performance and high colour rendering. The product's long lifetime makes it a true 'fit and forget' solution.

Product data

General Information		Connection	Connection unit 3-pole
Number of light sources	1 [1 pc]	Cable	-
Lamp family code	LED20S [LED Module, system flux 2000 lm]	Protection class IEC	Safety class II
Beam angle of light source	120 °	Glow-wire test	Temperature 650 °C, duration 5 s
Light source colour	830 warm white	Flammability mark	F [For mounting on normally flammable surfaces]
Cap base	- [-]	CE mark	CE mark
Light source replaceable	No	ENEC mark	ENEC mark
Number of gear units	1 unit	Warranty period	5 years
Driver/power unit/transformer	PSU [Power supply unit]	Constant light output	No
Driver included	Yes	Number of products on MCB (16 A type B)	34
Optic type	R [Reflector]	EU RoHS compliant	Yes
Luminaire light beam spread	120°	Accessory PFC	false
Emergency lighting	No [-]	Unified glare rating CEN	22
Control interface	-		

Light Technical	
Saturated Red	<50
Flickering	1
Stroboscopic effect	0.4
Operating and Electrical	
Input Voltage	220 to 240 V
Input frequency	50 to 60 Hz
Initial CLO power consumption	- W
Average CLO power consumption	- W
Inrush current	18 A
Inrush time	0.250 ms
Power factor (min.)	0.9
Controls and Dimming	
Dimmable	No
Mechanical and Housing	
Housing material	Polycarbonate
Reflector material	Polycarbonate aluminium coated
Optic material	-
Optical cover/lens material	-
Fixation material	-
Optical cover/lens finish	Matt
Overall height	157 mm
Overall diameter	218 mm
Diameter	217 mm
Colour	Black
Dimensions (height x width x depth)	157 x NaN x NaN mm (6.2 x NaN x NaN in)
Approval and Application	
Ingress protection code	IP20 [Finger-protected]
Mech. impact protection code	IK02 [0.2 J standard]
Sustainability rating	-
Initial Performance (IEC Compliant)	
Initial luminous flux (system flux)	2200 lm

Luminous flux tolerance	+/-10%
Initial LED luminaire efficacy	132 lm/W
Init. Corr. Colour Temperature	3000 K
Init. Colour rendering index	>80
Initial chromaticity	(0.43, 0.40) SDCM<3.5
Initial input power	16.4 W
Power consumption tolerance	+/-10%

Over Time Performance (IEC Compliant)

Control gear failure rate at median useful life	1 %
50,000 h	
Lumen maintenance at median useful life*	-
35,000 h	
Lumen maintenance at median useful life*	80
50,000 h	
Lumen maintenance at median useful life*	-
75,000 h	
Lumen maintenance at median useful life*	-
100,000 h	

Application Conditions

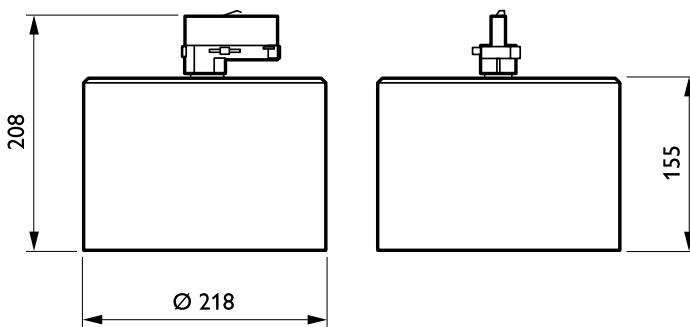
Ambient temperature range	+10 to +40 °C
Performance ambient temperature Tq	25 °C
Maximum dimming level	Not applicable
Suitable for random switching	No

Product Data

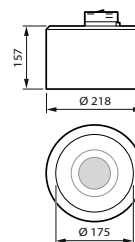
Full product code	871869938947500
Order product name	DN470T LED20S/830 PSU D22H16 3C BK
EAN/UPC – product	8718699389475
Order code	38947500
SAP numerator – quantity per pack	1
Numerator – packs per outer box	1
SAP material	912500100267



Dimensional drawing

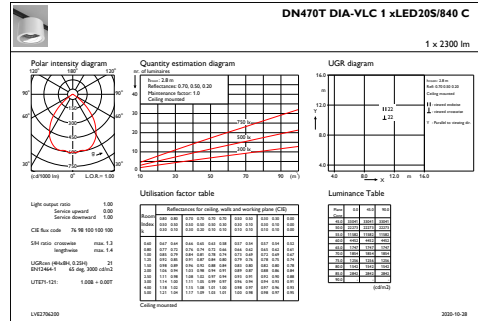
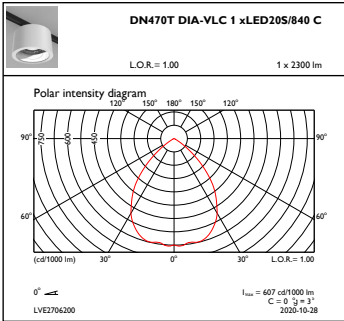


DN470T LED20S/830 PSU D22H16 3C BK



DN470T LED20S/830 PSU D22H16 3C BK

Photometric data



OFPC1_DN470TDIA-VLC1xLED20S840C

IFGU1_DN470TDIA-VLC1xLED20S840C

