



# TownTune Asymmetric

## BDP265 LED40-4S/830 DM50 DDF3 48-4S/60A

TOWNTUNE ASYMMETRIC - LED module 4000 lm - LED - 830 warm white - Power supply unit with DALI interface - 220 to 240 V - 50 or 60 Hz - Safety class I - Distribution medium 50 - Polycarbonate bowl/cover UV-resistant - Dark Grey - Philips standard surge protection level kV - - - Universal for diameter 48-60 mm adjustable

As a luminaire family prepared for existing and scalable urban spaces, TownTune offers all the recent lighting innovations in terms of performance, quality of light and connectivity. The Philips TownTune family consists of three members: a central post top, an asymmetric spigot version and a version using an extending lyre post-top bracket. Each of these three can be customised with a choice of different shapes for housing and an optional decorative ring which comes in two colours. By having these options available, you can create your very own lighting signature and give a distinctive identity to districts and cities. The luminaire family is also equipped with the QR code-based Philips Service tag, which supports installation and maintenance work and enables you to create a digital library of lighting assets and spare parts. TownTune also makes use of the Philips Ledgine optimised lighting platform, ensuring that you always have the right amount and direction of light on your street. Furthermore, thanks to being SR (System-Ready), TownTune is also future-proof and is ready to be paired with both standalone and advanced control and lighting software applications, such as Interact City.

### Product data

# TownTune Asymmetric

General Information	
Lamp family code	LED40 [ LED module 4000 lm]
Light source colour	830 warm white
Light source replaceable	Yes
Number of gear units	1 unit
Driver/power unit/transformer	PSD [ Power supply unit with DALI interface]
Driver included	Yes
Optical cover/lens type	PC-UV [ Polycarbonate bowl/cover UV-resistant]
Luminaire light beam spread	6° - 79° × 154°
Control interface	DALI
Connection	Internal connector
Cable	-
Protection class IEC	Safety class I
Flammability mark	F [ For mounting on normally flammable surfaces]
CE mark	CE mark
ENEC mark	ENEC mark
Warranty period	5 years
Optic type outdoor	Distribution medium 50
Remarks	* At extreme ambient temperatures the luminaire might automatically dim down to protect components
Constant light output	No
Number of products on MCB (16 A type B)	26
EU RoHS compliant	Yes
Light source engine type	LED
Product family code	BDP265 [ TOWNTUNE ASYMMETRIC]

## Light Technical

Upward light output ratio	0
Standard tilt angle post-top	-
Standard tilt angle side entry	0°

## Operating and Electrical

Input Voltage	220 to 240 V
Input frequency	50 or 60 Hz
Inrush current	21 A
Inrush time	0.225 ms
Power factor (min.)	0.98

## Controls and Dimming

Dimmable	Yes
----------	-----

## Mechanical and Housing

Housing material	Aluminium die-cast
Reflector material	Acrylate
Optic material	Polymethyl methacrylate
Optical cover/lens material	Polymethyl methacrylate
Fixation material	Aluminium
Mounting device	48/60A [ Universal for diameter 48-60 mm adjustable]

Optical cover/lens shape	Convex lens
Optical cover/lens finish	Clear
Overall height	70 mm
Overall diameter	477 mm
Effective projected area	0.033 m <sup>2</sup>
Colour	Dark Grey
Dimensions (height x width x depth)	70 x NaN x NaN mm (2.8 x NaN x NaN in)

## Approval and Application

Ingress protection code	IP66 [ Dust penetration-protected, jet-proof]
Mech. impact protection code	IK09 [ 10 J]
Surge protection (common/differential)	Philips standard surge protection level kV

## Initial Performance (IEC Compliant)

Initial luminous flux (system flux)	3200 lm
Luminous flux tolerance	+/-7%
Initial LED luminaire efficacy	102 lm/W
Init. Corr. Colour Temperature	3000 K
Init. Colour rendering index	>80
Initial chromaticity	(0.410, 0.390) SDCM <5
Initial input power	31.5 W
Power consumption tolerance	+/-11%
Init. colour rendering index tolerance	+/-2

## Over Time Performance (IEC Compliant)

Control gear failure rate at median useful life 100,000 h	10 %
Lumen maintenance at median useful life* 100,000 h	L96

## Application Conditions

Ambient temperature range	-40 to +50 °C
Performance ambient temperature Tq	25 °C
Maximum dimming level	10%

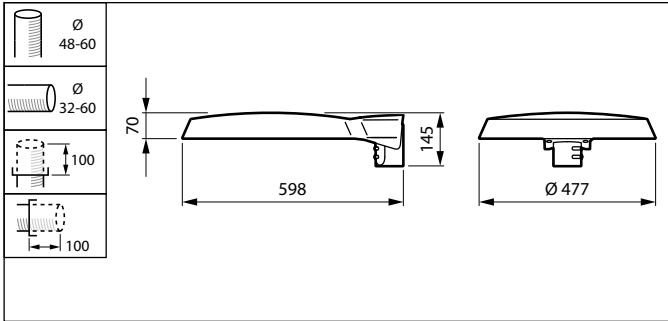
## Product Data

Full product code	871869949757600
Order product name	BDP265 LED40-4S/830 DM50 DDF3 48-4S/60A
EAN/UPC – product	8718699497576
Order code	49757600
SAP numerator – quantity per pack	1
Numerator – packs per outer box	1
SAP material	912300024197
SAP net weight (piece)	6.800 kg



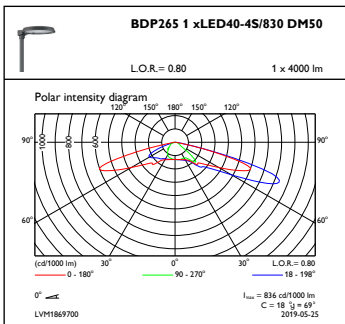
# TownTune Asymmetric

## Dimensional drawing

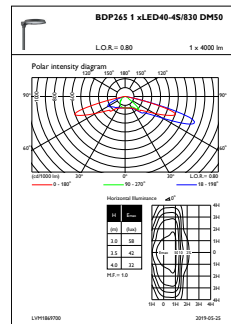


TownTune BDP260-273

## Photometric data



OFPC1\_BDP2651xLED40-4S830DM50



OFPL1\_BDP2651xLED40-4S830DM50

