



Ledinaire floodlight

BVP155 LED200/840 PSU 200W AWB CE

LED module 20000 lm - 840 neutral white - Power supply unit
- Asymmetrical

The Ledinaire range contains a selection of popular off-the-shelf LED luminaires that come with the Philips high-quality levels at a competitive price. Reliable, energy-efficient and affordable – just what you need.

Product data

General Information	
Lamp family code	LED200 [LED module 20000 lm]
Light source colour	840 neutral white
Light source replaceable	No
Number of gear units	-
Driver/power unit/transformer	PSU [Power supply unit]
Driver included	Yes
Optical cover/lens type	GC [Clear glass]
Luminaire light beam spread	30° x 80°
Control interface	-
Connection	Flying leads/cables
Cable	Cable 1.0 m without plug (C1K)
Protection class IEC	Safety class I
Flammability mark	NO [-]
CE mark	CE mark
ENEC mark	-
Warranty period	5 years
Optic type outdoor	Asymmetrical
Constant light output	No
Number of products on MCB (16 A type B)	11

EU RoHS compliant	Yes
Light source engine type	LED
Light Technical	
Upward light output ratio	0
Standard tilt angle post-top	0°
Standard tilt angle side entry	0°
Operating and Electrical	
Input Voltage	220 to 240 V
Input frequency	50 or 60 Hz
Initial CLO power consumption	- W
Average CLO power consumption	- W
End CLO power consumption	- W
Inrush current	3.28 A
Inrush time	0.0263 ms
Power factor (min.)	0.9

Ledinaire floodlight

Controls and Dimming

Dimmable	No
----------	----

Mechanical and Housing

Housing material	Aluminium die-cast
Reflector material	Polycarbonate
Optic material	Polycarbonate
Optical cover/lens material	Glass
Fixation material	Steel
Mounting device	MBA [Mounting bracket adjustable]
Optical cover/lens shape	Flat
Optical cover/lens finish	Clear
Overall length	347 mm
Overall width	60 mm
Overall height	423 mm
Effective projected area	0.14 m ²
Colour	Aluminium and Grey
Dimensions (height x width x depth)	423 x 60 x 347 mm (16.7 x 2.4 x 13.7 in)

Approval and Application

Ingress protection code	IP65 [Dust penetration-protected, jet-proof]
Mech. impact protection code	IK08 [5 J vandal-protected]
Surge protection (common/differential)	Luminaire surge protection level up to 4 kV differential mode and 4 kV common mode

Initial Performance (IEC Compliant)

Initial luminous flux (system flux)	20000 lm
Luminous flux tolerance	+/-10%

Initial LED luminaire efficacy	100 lm/W
Init. Corr. Colour Temperature	4000 K
Init. Colour rendering index	80
Initial chromaticity	<7 SDCM
Initial input power	200 W
Power consumption tolerance	+/-10%
Init. colour rendering index tolerance	+/-2

Over Time Performance (IEC Compliant)

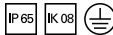
Control gear failure rate at median useful life 50,000 h	10 %
Lumen maintenance at median useful life* 50,000 h	L70

Application Conditions

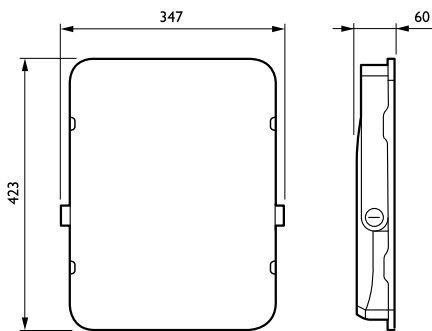
Ambient temperature range	-25 to +40 °C
Maximum dimming level	Not applicable

Product Data

Full product code	871016333130099
Order product name	BVP155 LED200/840 PSU 200W AWB CE
EAN/UPC – product	8710163331300
Order code	33130099
SAP numerator – quantity per pack	1
Numerator – packs per outer box	2
SAP material	911401733322
SAP net weight (piece)	6.080 kg



Dimensional drawing



Ledinaire floodlight BVP105/106

Ledinaire floodlight

