



# Coreline Highbay Gen4

## BY120P G4 LED100S/840 SRD NB SNHR200

Coreline Highbay Gen4 - Power supply unit with SystemReady interface, Interact-ready - Beam angle 55° - Lens - 55°

Following the success of the previous-generation CoreLine High-bay, the upgrade to a new generation further improves performance with new innovation design and provides higher efficiency, longer lifetime (to further improve the total cost of ownership) and optional DALI dimming for even further savings. Designed as a replacement for HPI 250/400 W luminaires, CoreLine High-bay G4 offers customers all the benefits of LED lighting – fresh light quality, longer service lifetime, reduced energy consumption and less maintenance – from a trusted manufacturer. At the same time, it delivers clear benefits for the installer too. The luminaire can be installed on the existing grid; electrical connection is straightforward – there is no need to open the luminaire for installation or servicing; and being smaller and lighter than conventional luminaires, it is very easy to handle

### Product data

General Information		Control interface	Internal (no external connection)
Light source colour	840 neutral white	Connection	Push-in connector 3-pole
Light source replaceable	No	Cable	Cable 0.3 m with connector 3-pole
Number of gear units	1 unit	Protection class IEC	Safety class I
Driver/power unit/transformer	Power supply unit with SystemReady interface, Interact-ready	Glow-wire test	Temperature 650 °C, duration 30 s
Driver included	Yes	Flammability mark	NO [ - ]
Optic type	Beam angle 55°	CE mark	CE mark
Optical cover/lens type	Lens	ENEC mark	-
Luminaire light beam spread	55°	Warranty period	5 years
		Constant light output	No

# Coreline Highbay Gen4

Number of products on MCB (16 A type B)	10
EU RoHS compliant	Yes
Light source engine type	LED
Unified glare rating CEN	21

## Operating and Electrical

Input Voltage	220 to 240 V
Input frequency	50 to 60 Hz
Inrush current	65 A
Inrush time	330 ms
Power factor (min.)	0.95

## Controls and Dimming

Dimmable	Yes
----------	-----

## Mechanical and Housing

Housing material	Aluminium
Reflector material	Polycarbonate
Optic material	Polycarbonate
Optical cover/lens material	Polycarbonate
Fixation material	Aluminium
Optical cover/lens finish	Frosted
Overall length	385 mm
Overall width	385 mm
Overall height	460 mm
Colour	Grey
Dimensions (height x width x depth)	460 x 385 x 385 mm (18.1 x 15.2 x 15.2 in)

## Approval and Application

Ingress protection code	IP20 [ Finger-protected]
Mech. impact protection code	IK05 [ 0.7 J]

## Initial Performance (IEC Compliant)

Initial luminous flux (system flux)	10000 lm
-------------------------------------	----------

Luminous flux tolerance	+/-10%
Initial LED luminaire efficacy	137 lm/W
Init. Corr. Colour Temperature	4000 K
Init. Colour rendering index	≥80
Initial chromaticity	(0.381,0.378)SDCM≤5
Initial input power	73 W
Power consumption tolerance	+/-10%

## Over Time Performance (IEC Compliant)

Control gear failure rate at median useful life 50,000 h	5 %
Lumen maintenance at median useful life* L80	50,000 h

## Application Conditions

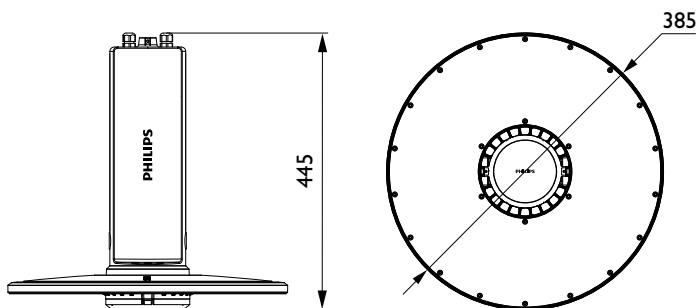
Ambient temperature range	-30 to +45 °C
Performance ambient temperature Tq	35 °C
Maximum dimming level	10%
Suitable for random switching	Yes

## Product Data

Full product code	871016336391200
Order product name	BY120P G4 LED100S/840 SRD NB SNHR200
EAN/UPC – product	8710163363912
Order code	36391200
SAP numerator – quantity per pack	1
Numerator – packs per outer box	1
SAP material	911401579661
SAP net weight (piece)	6.000 kg



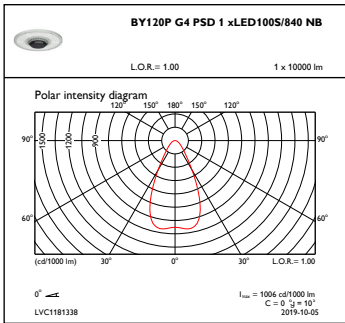
## Dimensional drawing



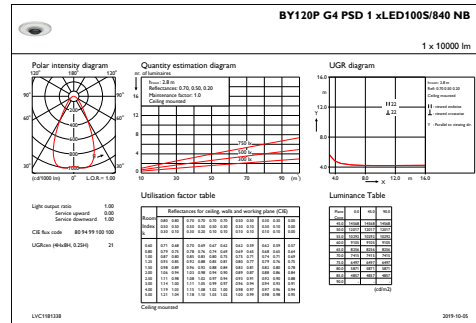
CoreLine High-bay BY120P/BY121P EU

# Coreline Highbay Gen4

## Photometric data



OFPC1\_BY120PG4PSD1xLED100S840NB



IFGU1\_BY120PG4PSD1xLED100S840NB

