



Coreline Highbay Gen4

BY120P G4 LED100S/865 PSD NB

865 cool daylight - Power supply unit with DALI interface - Narrow beam - Grey

Following the success of the previous-generation CoreLine High-bay, the upgrade to a new generation further improves performance with new innovation design and provides higher efficiency, longer lifetime (to further improve the total cost of ownership) and optional DALI dimming for even further savings. Designed as a replacement for HPI 250/400 W luminaires, CoreLine High-bay G4 offers customers all the benefits of LED lighting – fresh light quality, longer service lifetime, reduced energy consumption and less maintenance – from a trusted manufacturer. At the same time, it delivers clear benefits for the installer too. The luminaire can be installed on the existing grid; electrical connection is straightforward – there is no need to open the luminaire for installation or servicing; and being smaller and lighter than conventional luminaires, it is very easy to handle

Product data

General Information	
Beam angle of light source	55°
Light source colour	865 cool daylight
Light source replaceable	No
Number of gear units	1 unit
Driver/power unit/transformer	PSD [Power supply unit with DALI interface]
Driver included	Yes
Optic type	NB [Narrow beam]
Optical cover/lens type	PC [Polycarbonate bowl/cover]

Luminaire light beam spread	55°
Control interface	DALI
Connection	Connection unit 3-pole
Cable	Cable 0.3 m with connector 3-pole
Protection class IEC	Safety class I
Glow-wire test	Temperature 650 °C, duration 30 s
Flammability mark	D [For mounting on easily flammable surfaces]
CE mark	CE mark
ENEC mark	-

Coreline Highbay Gen4

Warranty period	5 years
Constant light output	No
Number of products on MCB (16 A type B)	13
EU RoHS compliant	Yes
Light source engine type	LED
Unified glare rating CEN	22

Operating and Electrical

Input Voltage	220 to 240 V
Input frequency	50 to 60 Hz
Initial CLO power consumption	- W
Average CLO power consumption	- W
Inrush current	53 A
Inrush time	0.3 ms
Power factor (min.)	0.95

Controls and Dimming

Dimmable	Yes
----------	-----

Mechanical and Housing

Housing material	Aluminium
Reflector material	-
Optic material	Polycarbonate
Optical cover/lens material	Polycarbonate
Fixation material	-
Optical cover/lens finish	Clear
Overall height	445 mm
Overall diameter	385 mm
Colour	Grey

Approval and Application

Ingress protection code	IP65 [Dust penetration-protected, jet-proof]
Mech. impact protection code	IK07 [2 J reinforced]

Initial Performance (IEC Compliant)

Initial luminous flux (system flux)	10000 lm
Luminous flux tolerance	+/-10%
Initial LED luminaire efficacy	137 lm/W
Init. Corr. Colour Temperature	6500 K
Init. Colour rendering index	>80
Initial chromaticity	(0.307, 0.323 SDCM <5
Initial input power	73 W
Power consumption tolerance	+/-10%

Over Time Performance (IEC Compliant)

Control gear failure rate at median useful life	5 %
50,000 h	
Lumen maintenance at median useful life*	L80
50,000 h	

Application Conditions

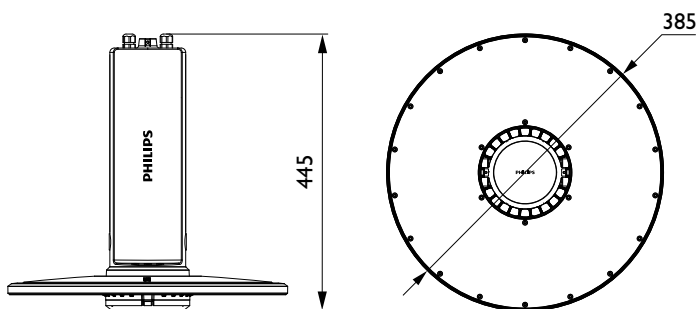
Ambient temperature range	-30 to +45 °C
Performance ambient temperature Tq	25 °C
Maximum dimming level	1%
Suitable for random switching	Yes

Product Data

Full product code	871016333704300
Order product name	BY120P G4 LED100S/865 PSD NB
EAN/UPC – product	8710163337043
Order code	33704300
SAP numerator – quantity per pack	1
Numerator – packs per outer box	1
SAP material	911401575651
SAP net weight (piece)	6.000 kg



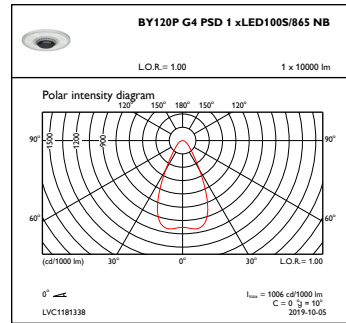
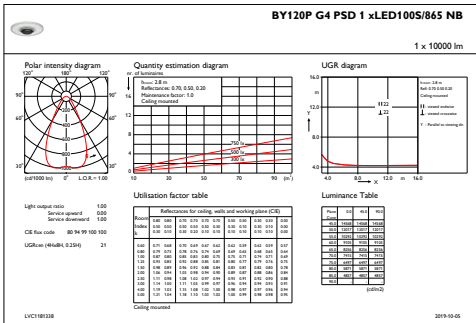
Dimensional drawing



CoreLine High-bay BY120P/BY121P

Coreline Highbay Gen4

Photometric data



IFGU1_BY120PG4PSD1xLED100S865NB

OFPC1_BY120PG4PSD1xLED100S865NB

