



Metronomis LED Torch

BDS650 LED50-4S/740 I MDS D9 STD 60

Metronomis LED - LED module 5000 lm - LED - 740 neutral white - Power supply unit with DALI interface - 220 to 240 V - 50 to 60 Hz - Safety class I - Metronomis distribution symmetrical - Polycarbonate bowl/cover - Grey - Surge protection level up to 10 kV - - - Spigot for diameter 60 mm

Metronomis LED is the first post-top range in the world to offer a palette of environmental lighting effects to give projects a unique contextual or aesthetic touch. An innovative play of reflection, light and shadow creates an environmental pattern on the ground or on the bowl to create additional ambience. Four new iconic designs – with a visual and modular link to Metronomis I – are reduced to the essential elements. During the day, the discreet, transparent design blends into its context, be it contemporary or classical, while its night-time appearance is both functional and decorative. The flexible, modular Metronomis LED comes with a range of columns and a wide variety of optics and effects, enabling architects and lighting designers to create a unified, consistent lighting design that still reflects the differences in urban culture and history.

Product data

General information		Driver/power unit/transformer	
Lamp family code	LED50 [LED module 5000 lm]		PSD [Power supply unit with DALI interface]
Light source colour	740 neutral white	Driver included	Yes
Light source replaceable	Yes	Optical cover/lens type	PC [Polycarbonate bowl/cover]
Number of gear units	1 unit	Luminaire light beam spread	17°
		Control interface	DALI

Metronomis LED Torch

Connection	Screw connector
Cable	-
Protection class IEC	Safety class I
Flammability mark	NO [-]
CE mark	CE mark
ENEC mark	ENEC mark
Warranty period	5 years
Optic type outdoor	Metronomis distribution symmetrical
Remarks	* At extreme ambient temperatures the luminaire might automatically dim down to protect components
Constant light output	No
Number of products on MCB (16 A type B)	11
EU RoHS compliant	Yes
Light source engine type	LED
Serviceability class	Class A, the luminaire is equipped with serviceable parts (when applicable): LED board, driver, control units, surge-protection device, optics, front cover and mechanical parts
Product family code	BDS650 [Metronomis LED]

Light Technical

Upward light output ratio	1.1
Standard tilt angle post-top	-
Standard tilt angle side entry	-

Operating and Electrical

Input Voltage	220 to 240 V
Input frequency	50 to 60 Hz
Inrush current	46 A
Inrush time	0.25 ms
Power factor (min.)	0.95

Controls and Dimming

Dimmable	Yes
----------	-----

Mechanical and Housing

Housing material	Aluminium
Reflector material	Polycarbonate
Optic material	Polycarbonate
Optical cover/lens material	Polycarbonate
Fixation material	Aluminium
Mounting device	60 [Spigot for diameter 60 mm]
Optical cover/lens shape	-
Optical cover/lens finish	-

Overall height	1060 mm
Overall diameter	330 mm
Effective projected area	0.274 m ²
Colour	Grey
Dimensions (height x width x depth)	1060 x NaN x NaN mm (41.7 x NaN x NaN in)

Approval and Application

Ingress protection code	IP66 [Dust penetration-protected, jet-proof]
Mech. impact protection code	IK10 [20 J vandal-resistant]
Surge protection (common/differential)	Surge protection level up to 10 kV

Initial Performance (IEC Compliant)

Initial luminous flux (system flux)	4200 lm
Luminous flux tolerance	+/-7%
Initial LED luminaire efficacy	140 lm/W
Init. Corr. Colour Temperature	4000 K
Init. Colour rendering index	≥70
Initial chromaticity	(0.3818, 0.3796) SDCM <5
Initial input power	30 W
Power consumption tolerance	+/-10%
Init. colour rendering index tolerance	+/-2

Over Time Performance (IEC Compliant)

Control gear failure rate at median useful life 100,000 h	10 %
Lumen maintenance at median useful life* 100,000 h	L98

Application Conditions

Ambient temperature range	-40 to +50 °C
Performance ambient temperature Tq	25 °C
Maximum dimming level	Programmable

Product Data

Full product code	871951419944600
Order product name	BDS650 LED50-4S/740 I MDS D9 STD 60
EAN/UPC – product	8719514199446
Order code	19944600
SAP numerator – quantity per pack	1
Numerator – packs per outer box	1
SAP material	910925868149
SAP net weight (piece)	11.568 kg



Metronomis LED Torch

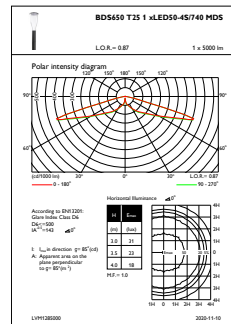
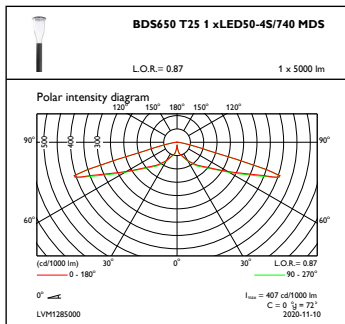
Dimensional drawing



© 330

Metronomis LED BDS650-670

Photometric data



OFPC1_BDS650T251xLED50-4S740MDS

OFPL1_BDS650T251xLED50-4S740MDS

