



LumiStreet gen2

BGP292 LED49-4S/740 I DX10 7024 D9 48/60

LUMISTREET GEN2 MINI - LED module 4900 lm - 740 neutral white - Safety class I - Distribution extra-wide 10 - Side-entry for diameter 48-60 mm

Increasing numbers of municipalities are having to upgrade large-scale conventional street lighting installations with energy-efficient LED technology. But they are having to do this with smaller and smaller budgets. That's why the new generation of LumiStreet has been upgraded and designed to provide a solution to this challenge, it is the ideal solution for performing point-to-point replacement of conventional lighting. LumiStreet gen2 achieves this by offering high-efficiency, low Total Cost of Ownership and ease of installation and maintenance. The ease of installation and maintenance is enabled by the Philips Service tag. Moreover, the Philips SR (System Ready) socket makes it future-ready and you can pair this luminaire with lighting control and software applications such as Interact City.

Product data

| General Information | | Protection class IEC | Safety class I |
|-------------------------------|--|-----------------------|--|
| Lamp family code | LED49 [LED module 4900 lm] | Flammability mark | F [For mounting on normally flammable surfaces] |
| Light source colour | 740 neutral white | CE mark | CE mark |
| Light source replaceable | Yes | ENEC mark | ENEC plus mark |
| Number of gear units | 1 unit | Warranty period | 5 years |
| Driver/power unit/transformer | PSD [Power supply unit with DALI interface] | Optic type outdoor | Distribution extra-wide 10 |
| Driver included | Yes | Remarks | * At extreme ambient temperatures the luminaire might automatically dim down to protect components |
| Optical cover/lens type | FG [Flat glass] | Constant light output | No |
| Luminaire light beam spread | 150° - 43° x 67° | | |
| Control interface | DALI | | |
| Connection | 2 push-in connectors 5-pole | | |
| Cable | - | | |

LumiStreet gen2

| | |
|---|--|
| Number of products on MCB (16 A type B) | 26 |
| EU RoHS compliant | Yes |
| Light source engine type | LED |
| Serviceability class | Class A, the luminaire is equipped with serviceable parts (when applicable): LED board, driver, control units, surge-protection device, optics, front cover and mechanical parts |
| Product family code | BGP292 [LUMISTREET GEN2 MINI] |

Light Technical

| | |
|--------------------------------|----|
| Upward light output ratio | 0 |
| Standard tilt angle post-top | 0° |
| Standard tilt angle side entry | 0° |

Operating and Electrical

| | |
|---------------------|--------------|
| Input Voltage | 220 to 240 V |
| Input frequency | 50 to 60 Hz |
| Inrush current | 21 A |
| Inrush time | 0.225 ms |
| Power factor (min.) | 0.98 |

Controls and Dimming

| | |
|----------|-----|
| Dimmable | Yes |
|----------|-----|

Mechanical and Housing

| | |
|-------------------------------------|--|
| Housing material | Aluminium die-cast |
| Reflector material | Polycarbonate |
| Optic material | Polymethyl methacrylate |
| Optical cover/lens material | Glass |
| Fixation material | Aluminium |
| Mounting device | 48/60S [Side-entry for diameter 48-60 mm] |
| Optical cover/lens shape | Flat |
| Optical cover/lens finish | Clear |
| Overall length | 620 mm |
| Overall width | 234 mm |
| Overall height | 95 mm |
| Effective projected area | 0.0251 m ² |
| Colour | Grey |
| Dimensions (height x width x depth) | 95 x 234 x 620 mm (3.7 x 9.2 x 24.4 in) |

Approval and Application

| | |
|--|--|
| Ingress protection code | IP66 [Dust penetration-protected, jet-proof] |
| Mech. impact protection code | IK08 [5 J vandal-protected] |
| Surge protection (common/differential) | Luminaire surge protection level up to 6 kV differential mode and 8 kV common mode |

Initial Performance (IEC Compliant)

| | |
|--|------------------------|
| Initial luminous flux (system flux) | 4165 lm |
| Luminous flux tolerance | +/-7% |
| Initial LED luminaire efficacy | 137 lm/W |
| Init. Corr. Colour Temperature | 4000 K |
| Init. Colour rendering index | 70 |
| Initial chromaticity | (0.381, 0.379) SDCM <5 |
| Initial input power | 30.5 W |
| Power consumption tolerance | +/-11% |
| Init. colour rendering index tolerance | +/-2 |

Over Time Performance (IEC Compliant)

| | |
|---|------|
| Control gear failure rate at median useful life 100,000 h | 10 % |
| Lumen maintenance at median useful life* 100,000 h | L97 |

Application Conditions

| | |
|------------------------------------|---------------|
| Ambient temperature range | -40 to +50 °C |
| Performance ambient temperature Tq | 25 °C |
| Maximum dimming level | 0% (digital) |

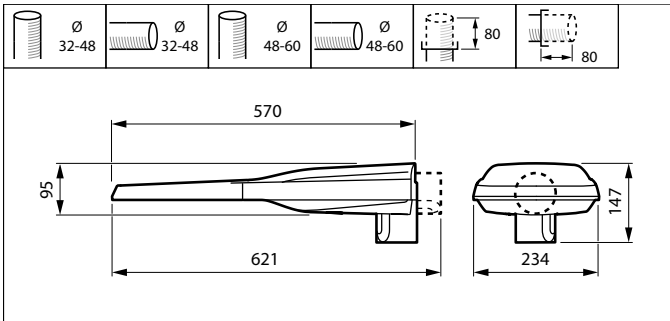
Product Data

| | |
|-----------------------------------|--|
| Full product code | 871951407964900 |
| Order product name | BGP292 LED49-4S/740 I DX10 7024 D9 48/60 |
| EAN/UPC – product | 8719514079649 |
| Order code | 07964900 |
| SAP numerator – quantity per pack | 1 |
| Numerator – packs per outer box | 1 |
| SAP material | 910925866698 |
| SAP net weight (piece) | 5.100 kg |



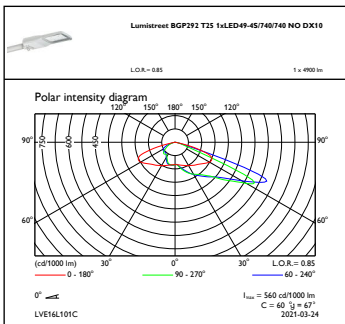
LumiStreet gen2

Dimensional drawing

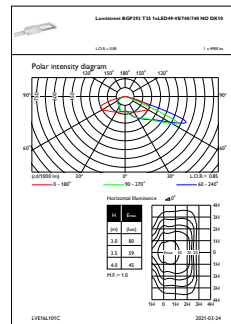


UniStreet BGP/BGS202/203/204

Photometric data



OFPC1_



OFPL1_

