



# LuxSpace Accent

## RS752B LED49S/930 PSE-E MB WH

LuxSpace Accent Performance G3 - 930 warm white - Power supply unit external, DC compatible for central emergency lighting - Medium beam - Push-in connector and pull relief - White

Retailers are increasingly having to contend with rising energy prices. At the same time, they need to retain the quality of light they are used to, flexibility in architectural integration, and the right light effects to catch the customer's eye. Last but not least, they need future-proof solutions that will enable them to implement differentiating concepts in their store. Delivering high-quality light, punch in the beam and outstanding luminous efficacy, LuxSpace Accent is the ideal energy-efficient solution for today's demanding retail environments, covering a wide variety of lighting applications, including CrispWhite for fashion stores and Food recipes for supermarkets.

### Product data

General Information		Control interface	
Number of light sources	1 [ 1 pc]	Control interface	-
Beam angle of light source	120 °	Connection	Push-in connector and pull relief
Light source colour	930 warm white	Cable	-
Light source replaceable	No	Protection class IEC	Safety class II
Number of gear units	1 unit	Glow-wire test	Temperature 650 °C, duration 5 s
Driver/power unit/transformer	PSE-E [ Power supply unit external, DC compatible for central emergency lighting]	Flammability mark	F [ For mounting on normally flammable surfaces]
Driver included	Yes	CE mark	CE mark
Optic type	MB [ Medium beam]	ENEC mark	ENEC mark
Optical cover/lens type	No [ -]	UL mark	No
Luminaire light beam spread	22°	Warranty period	5 years

# LuxSpace Accent

Remarks	*- According to the Lighting Europe guidance paper 'Evaluating performance of LED based luminaires – January 2018': statistically there is no relevant difference in lumen maintenance between the B50 and, for example, the B10. Therefore, the median useful life (B50) value also represents the B10 value.
Constant light output	No
Number of products on MCB (16 A type B)	24
EU RoHS compliant	Yes
Product family code	RS752B [ LuxSpace Accent Performance G3]

## Operating and Electrical

Input Voltage	220 to 240 V
Input frequency	50 to 60 Hz
Initial CLO power consumption	- W
Average CLO power consumption	- W
Inrush current	23.5 A
Inrush time	0.272 ms
Power factor (min.)	0.9

## Controls and Dimming

Dimmable	No
----------	----

## Mechanical and Housing

Housing material	Aluminium
Reflector material	Aluminium
Optic material	Polycarbonate
Optical cover/lens material	Polycarbonate
Fixation material	-
Optical cover/lens finish	Clear
Overall length	231 mm
Overall width	168 mm
Overall height	126 mm
Overall diameter	168 mm
Colour	White
Dimensions (height x width x depth)	126 x 168 x 231 mm (5 x 6.6 x 9.1 in)

## Approval and Application

Ingress protection code	IP20 [ Finger-protected]
Mech. impact protection code	IK02 [ 0.2 J standard]

## Initial Performance (IEC Compliant)

Initial luminous flux (system flux)	4900 lm
Luminous flux tolerance	+/-10%
Initial LED luminaire efficacy	99 lm/W
Init. Corr. Colour Temperature	3000 K
Init. Colour rendering index	≥90
Initial chromaticity	(0.43, 0.40) SDCM <3
Initial input power	49.5 W
Power consumption tolerance	+/-10%

## Over Time Performance (IEC Compliant)

Control gear failure rate at median useful life 50,000 h	5 %
Lumen maintenance at median useful life* 50,000 h	L80

## Application Conditions

Ambient temperature range	+10 to +40 °C
Performance ambient temperature Tq	25 °C
Suitable for random switching	Yes

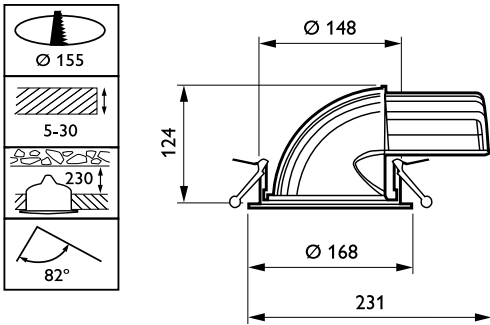
## Product Data

Full product code	871869916735600
Order product name	RS752B LED49S/930 PSE-E MB WH
EAN/UPC – product	8718699167356
Order code	16735600
SAP numerator – quantity per pack	1
Numerator – packs per outer box	1
SAP material	910500459446
SAP net weight (piece)	1.400 kg

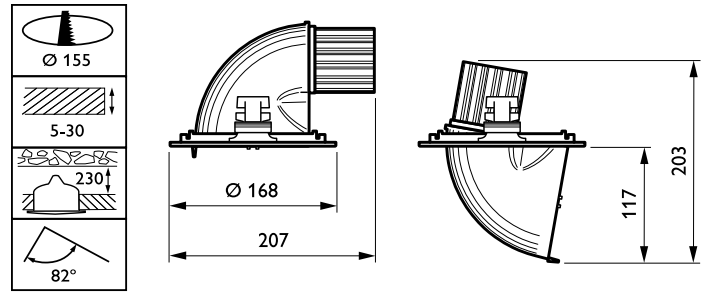


# LuxSpace Accent

## Dimensional drawing



RS752B LED49S/930 PSE-E MB WH



RS752B LED49S/930 PSE-E MB WH

