



Dimming the next step in energy saving

HF-Regulator Intelligent Touch DALI for TL5/TL-D/PL-L lamps

This intelligent high-frequency electronic dimming ballast utilizes the DALI or Touch and Dim push-button protocol for fluorescent lamps. It meets A1BAT requirements, thereby pre-empting upcoming legislation. With a special command you can retrieve the system's mains power consumption, and with another you can find out which lamp wattage is connected. Combined with controls, additional energy savings can be achieved.

Benefits

- Extremely low stand-by losses, controlled cut-off for dim levels above 80%, hybrid control dimming (current control at 100% and power control at 1%) – combined with MASTER TL5 Eco the most energy-efficient solution
- HF operation improves light quality and lamp lifetime.
- Compliant with European and Asian norms and suitable for emergency lighting systems

Features

- HF-R Intelligent recognises what type of lamp (T5 HE, HO, ECO, TL-D, PL-L) is connected and drives it accordingly
- Programmed start: flicker-free ignition < 1.0 second and striation-free operation, no stroboscopic effects. Preheating the lamp electrodes enables the lamps to be switched on and off without reducing life
- Smart power ensures constant light, independent of mains fluctuations and dimming from 1 to 100%
- Stop circuit is activated within 5 seconds in the event of lamp failure (safety stop), and ballast resets automatically after lamp replacement
- Programmable for intelligent functionalities via Philips MultiOne: Corridor mode, Emergency DC dim level, Burn-in time

HF-Regulator Intelligent Touch DALI for TL5/TL-D/PL-L lamps

Application

- Indoor, general and task lighting applications in combination with lighting control systems (personal control, daylight linking and/or movement detection)

Versions



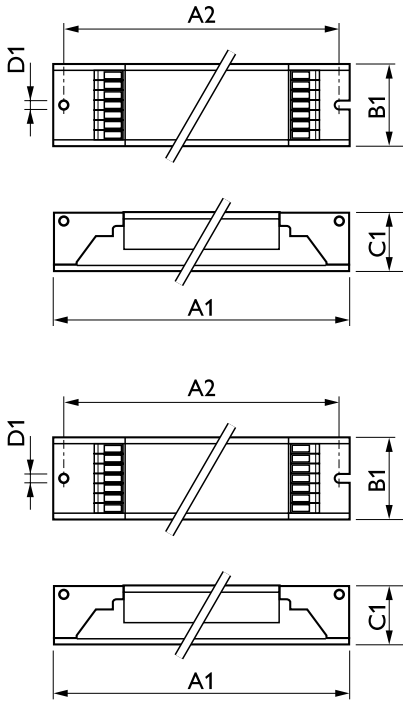
HF-Ri TD 3 14/24 TL5 E+ 195-240 V

HF-Ri TD 4 14/24 TL5 E+ 195-240 V



HF-Regulator Intelligent Touch DALI for TL5/TL-D/PL-L lamps

Dimensional drawing



Product	D1	C1	A1	A2	B1
HF-Ri TD 280 TL5/PL-L E+ 220-240V	4.2 mm	22 mm	424 mm	415 mm	30 mm

Product	D1	C1	A1	A2	B1
HF-Ri TD 1 28/35/49/54 TL5 E+ 195-240V	4.1 mm	22.0 mm	360.0 mm	350.0 mm	30.0 mm
HF-Ri TD 3 14/24 TL5 E+ 195-240V	4.2 mm	22.0 mm	360.0 mm	350.0 mm	39.0 mm
HF-Ri TD 1 35/49/80 TL5 E+ 195-240V	4.1 mm	22.0 mm	360.0 mm	350.0 mm	30.0 mm
HF-Ri TD 2 28/35/49/54 TL5 E+ 195-240V	4.1 mm	22.0 mm	360.0 mm	350.0 mm	30.0 mm
HF-Ri TD 1 14/21/24/39 E+ 195-240V	4.1 mm	21.0 mm	360.0 mm	350.0 mm	30.0 mm
HF-Ri TD 2 14/21/24/39 E+ 195-240V	4.1 mm	21.0 mm	360.0 mm	350.0 mm	30.0 mm
HF-Ri TD 4 14/24 TL5 E+ 195-240V	4.2 mm	22.0 mm	360.0 mm	350.0 mm	39.0 mm

Operating and Electrical

Input Frequency	50 to 60 Hz
-----------------	-------------

Approval and Application

Order Code	Full Product Name	Energy Efficiency Index
91067730	HF-R TD 280 TL5/PL-L EII 220-240V	A1
15676500	HF-Ri TD 3 14/24 TL5 E+ 195-240V	A1 BAT
15678900	HF-Ri TD 4 14/24 TL5 E+ 195-240V	A1 BAT
66205100	HF-Ri TD 1 28/35/49/54 TL5 E+ 195-240V	A1 BAT

Order Code	Full Product Name	Energy Efficiency Index
69689600	HF-Ri TD 1 14/21/24/39 E+	A1 BAT
66207500	HF-Ri TD 1 35/49/80 TL5 E+ 195-240V	A1 BAT
66209900	HF-Ri TD 2 28/35/49/54 TL5 E+ 195-240V	A1 BAT
69691900	HF-Ri TD 2 14/21/24/39 E+	A1 BAT

Operating and Electrical

Order Code	Full Product Name	Input Voltage
91067730	HF-R TD 280 TL5/PL-L EII 220-240V	220 to 240 V
15676500	HF-Ri TD 3 14/24 TL5 E+ 195-240V	195-240 V
15678900	HF-Ri TD 4 14/24 TL5 E+ 195-240V	195-240 V
66205100	HF-Ri TD 1 28/35/49/54 TL5 E+ 195-240V	195-240 V

Order Code	Full Product Name	Input Voltage
69689600	HF-Ri TD 1 14/21/24/39 E+	195-240 V
66207500	HF-Ri TD 1 35/49/80 TL5 E+ 195-240V	195-240 V
66209900	HF-Ri TD 2 28/35/49/54 TL5 E+ 195-240V	195-240 V
69691900	HF-Ri TD 2 14/21/24/39 E+	195-240 V

General Information

HF-Regulator Intelligent Touch DALI for TL5/TL-D/PL-L lamps

Order Code	Full Product Name	Number Of Products On MCB (16A)		
		Type B) (Nom)	Number Of Lamps	Lamp Type
91067730	HF-R TD 280 TL5/PL-L EII 220-240V	9	2 piece/unit	TL5/PL-L
15676500	HF-Ri TD 3 14/24 TL5 E+ 195-240V	16	3 piece/unit	TL5
15678900	HF-Ri TD 4 14/24 TL5 E+ 195-240V	16	4 piece/unit	TL5
66205100	HF-Ri TD 1 28/35/49/54 TL5 E+ 195-240V	39	1 piece/unit	TL5

Order Code	Full Product Name	Number Of Products On MCB (16A)		
		Type B) (Nom)	Number Of Lamps	Lamp Type
69689600	HF-Ri TD 1 14/21/24/39 E+	30	1 piece/unit	TL5
66207500	HF-Ri TD 1 35/49/80 TL5 E+ 195-240V	18	1 piece/unit	TL5
66209900	HF-Ri TD 2 28/35/49/54 TL5 E+ 195-240V	18	2 piece/unit	TL5
69691900	HF-Ri TD 2 14/21/24/39 E+	16	2 piece/unit	TL5

Mechanical and Housing

Order Code	Full Product Name	Housing
91067730	HF-R TD 280 TL5/PL-L EII 220-240V	L 425x30x21
15676500	HF-Ri TD 3 14/24 TL5 E+ 195-240V	L 360x39x22
15678900	HF-Ri TD 4 14/24 TL5 E+ 195-240V	L 360x39x22
66205100	HF-Ri TD 1 28/35/49/54 TL5 E+ 195-240V	L 359x30x21

Order Code	Full Product Name	Housing
69689600	HF-Ri TD 1 14/21/24/39 E+	L 360x30x21
66207500	HF-Ri TD 1 35/49/80 TL5 E+ 195-240V	L 359x30x21
66209900	HF-Ri TD 2 28/35/49/54 TL5 E+ 195-240V	L 359x30x21
69691900	HF-Ri TD 2 14/21/24/39 E+	L 360x30x21

System characteristics

Order Code	Full Product Name	Lamp Power On PL-L	Lamp Power On TL5	Lamp Power On TL5 ECO	Lamp Power		
					On TL-D	On TL-D ECO	Rated Ballast-Lamp Power
91067730	HF-R TD 280 TL5/PL-L EII 220-240V	-	-	-	-	-	80 W
15676500	HF-Ri TD 3 14/24 TL5 E+ 195-240V	15/22.9 W	15/23.3 W	13.6/20.1 W	17 W	13.7 W	14/24 W
15678900	HF-Ri TD 4 14/24 TL5 E+ 195-240V	15.8/22.9 W	14.5/23.4 W	12.9/19.7 W	16.6 W	14.2 W	14/24 W
66205100	HF-Ri TD 1 28/35/49/54 TL5 E+ 195-240V	51.2 W	29.4/36.4/51.6/54.8 W	26.3/30.2/45.7/50.4 W	52.2 W	42.7 W	28-35-49-54 W
69689600	HF-Ri TD 1 14/21/24/39 E+	22.5/30.0/38.0 W	13.7/20.7/23.0/36.5 W	12.5/19.1/20.0/33.0 W	32 W	-	14/21/24/39 W
66207500	HF-Ri TD 1 35/49/80 TL5 E+ 195-240V	76.3 W	35.9/51/75.6 W	32.8/45.2/73.6 W	-	-	-
66209900	HF-Ri TD 2 28/35/49/54 TL5 E+ 195-240V	101.6 W	58.9/73.6/107.2/113.4 W	50.8/66.5/95.6/102.7 W	101.1 W	89.8 W	28-35-49-54 W
69691900	HF-Ri TD 2 14/21/24/39 E+	45.0/60.0/76.0 W	27.4/41.4/46.0/73.0 W	25.0/38.2/40.0/66.0 W	64.0 W	-	14/21/24/39 W

