



Product Description

HF-Regulator II for TL-D lamps

Flat, lightweight high-frequency electronic regulating ballast, using 1-10V protocol for TL-D fluorescent lamps

Benefits

- The lamp power can be dimmed from 1 to 100% via the Analog control input (in accordance with the 1-10 V industry standard)
- Compliant with European and Asian norms and suitable for emergency lighting systems
- HF operation improves light quality, lamp lifetime
- Combined with controls, additional energy savings can be achieved

Features

- Programmed start: flicker-free ignition < 0.5 seconds and striation-free operation, no stroboscopic effects. Preheating the lamp electrodes enables the lamps to be switched on and off without reducing life
- Smart power ensures constant light, independent of mains fluctuations.
- Up to 60% reduction in energy consumption by using automatic lighting control systems
- Stop circuit is activated within 5 seconds in the event of lamp failure (safety stop), and ballast resets automatically after lamp replacement

Application

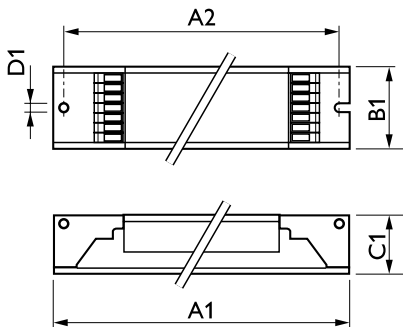
- 1-10V installations with daylight linking and/or movement detection (for energy savings)
- 1-10V installations with remote control systems (combining energy savings with comfort)
- Installations with emergency back-up, according to IEC 60598-2-22

HF-Regulator II for TL-D lamps

Versions



Dimensional drawing



| Product | D1 | C1 | A1 | A2 | B1 |
|---------------------------------------|--------|-------|--------|--------|-------|
| HF-R 236 TL-D EII 220-240V 50/60Hz | 4.2 mm | 22 mm | 360 mm | 350 mm | 30 mm |
| HF-R 158 TL-D EII 220-240V 50/60Hz | 4.2 mm | 22 mm | 360 mm | 350 mm | 30 mm |
| HF-R 418 TL-D EII 220-240V 50/60Hz | 4.2 mm | 22 mm | 359 mm | 350 mm | 39 mm |
| HF-R 258 TL-D EII 220-240V 50/60Hz | 4.2 mm | 22 mm | 360 mm | 350 mm | 30 mm |
| HF-R 136 TL-D EII 220-240V 50/60Hz | 4.2 mm | 22 mm | 360 mm | 350 mm | 30 mm |

Approval and Application

Energy Efficiency Index A1 BAT

Operating and Electrical

Input Frequency 50 to 60 Hz

Input Voltage 220 to 240 V

General Information

Lamp Type TL-D

General Information

| Order Code | Full Product Name | Number Of Products On MCB (16A Type) B) (Nom) | Number Of Lamps |
|------------|---------------------------------------|---|-----------------|
| 91013430 | HF-R 136 TL-D EII 220-240V 50/60Hz | 28 | 1 piece/unit |
| 91015830 | HF-R 236 TL-D EII 220-240V 50/60Hz | 12 | 2 piece/unit |
| 91017230 | HF-R 158 TL-D EII 220-240V 50/60Hz | 28 | 1 piece/unit |

| Order Code | Full Product Name | Number Of Products On MCB (16A Type) B) (Nom) | Number Of Lamps |
|------------|---------------------------------------|---|-----------------|
| 91019630 | HF-R 258 TL-D EII 220-240V 50/60Hz | 12 | 2 piece/unit |
| 91366130 | HF-R 418 TL-D EII 220-240V 50/60Hz | 12 | 4 piece/unit |

Mechanical and Housing

HF-Regulator II for TL-D lamps

| Order Code | Full Product Name | Housing |
|------------|------------------------------------|-------------|
| 91013430 | HF-R 136 TL-D EII 220-240V 50/60Hz | L 360x30x21 |
| 91015830 | HF-R 236 TL-D EII 220-240V 50/60Hz | L 360x30x21 |
| 91017230 | HF-R 158 TL-D EII 220-240V 50/60Hz | L 360x30x21 |

| Order Code | Full Product Name | Housing |
|------------|------------------------------------|-------------|
| 91019630 | HF-R 258 TL-D EII 220-240V 50/60Hz | L 360x30x21 |
| 91366130 | HF-R 418 TL-D EII 220-240V 50/60Hz | L 359x39x22 |

System characteristics

| Order Code | Full Product Name | Rated Ballast-Lamp Power |
|------------|------------------------------------|--------------------------|
| 91013430 | HF-R 136 TL-D EII 220-240V 50/60Hz | 36 W |
| 91015830 | HF-R 236 TL-D EII 220-240V 50/60Hz | 36 W |
| 91017230 | HF-R 158 TL-D EII 220-240V 50/60Hz | 58 W |

| Order Code | Full Product Name | Rated Ballast-Lamp Power |
|------------|------------------------------------|--------------------------|
| 91019630 | HF-R 258 TL-D EII 220-240V 50/60Hz | 58 W |
| 91366130 | HF-R 418 TL-D EII 220-240V 50/60Hz | 18 W |

