



Xtreme drivers for maximum energy savings

DynaVision Programmable Xtreme for CPO

Highly reliable and flexible electronic drivers for CPO lamps; designed to save on energy costs via integrated controls and to reduce maintenance costs thanks to 80,000-hour lifetime and integrated lightning protection. The DynaVision Programmable product family is the perfect basis for any sort of lighting management solution.

Benefits

- Enables 2-way communication with the lighting network (via DALI)
- Minimises maintenance cost due to the Xtreme lifetime of 80,000 hours and the integrated lightning protection
- Together with the CPO lamp the driver creates the most efficient white-light system in the industry in its power range

Features

- Programmable by means of standard digital interface (DALI) and controllable via DALI protocol
- Integrates several control options (DynaDimmer, LineSwitch, AmpDim, Constant Light Output, Adjustable Light Output)
- Longest lifetime for electronic drivers: 80,000 hours with minimum 90% survival at $T_c = 80^\circ\text{C}$
- Xtreme lightning protection 10 kV/5 kA
- Accurate lamp power stabilisation of 95-97% over wide mains-voltage range of 180-300 V

DynaVision Programmable Xtreme for CPO

Application

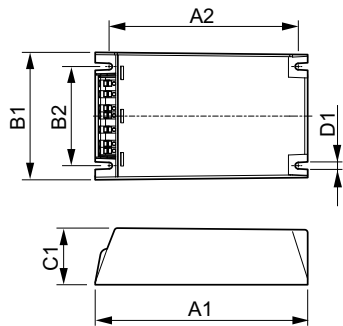
- Road lighting
- Residential lighting
- City beautification

Versions



Dimensional drawing

Λ 2



Product	D1	C1	A1	A2	B1	B2
HID-DV PROG Xt 90	5.0 mm	65.0	150.0	135.9	65.0	46.8
CPO C1 208-277V		mm	mm	mm	mm	mm
HID-DV PROG Xt 140	5.0 mm	65.0	150.0	135.9	65.0	46.8
CPO C1 208-277V		mm	mm	mm	mm	mm

Product	D1	C1	A1	A2	B1	B2
HID-DV PROG Xt 60	4.5 mm	40.0	150.0	133.6	90.0	70.0
CPO Q 208-277V		mm	mm	mm	mm	mm
HID-DV PROG Xt 90	4.5 mm	40.0	150.0	133.6	90.0	70.0
CPO Q 208-277V		mm	mm	mm	mm	mm
HID-DV PROG Xt 140	4.5 mm	40.0	150.0	133.6	90.0	70.0
CPO Q 208-277V		mm	mm	mm	mm	mm
HID-DV PROG Xt 45	4.5 mm	40.0	150.0	133.6	90.0	70.0
CPO Q 208-277V		mm	mm	mm	mm	mm

DynaVision Programmable Xtreme for CPO

Operating and electrical

Input Frequency	50 to 60 Hz
Input Voltage	208-240-277 V

General information

Number Of Lamps	1 piece/unit
Lamp Type	CPO

Controls and dimming

Order Code	Full Product Name	Regulating Level
20455800	HID-DV PROG Xt 90 CPO C1 208-277V	50%-100%
20457200	HID-DV PROG Xt140 CPO C1 208-277V	50%-100%
24149200	HID-DV PROG Xt 60 CPO Q 208-277V	50%-100%

Order Code	Full Product Name	Regulating Level
24153900	HID-DV PROG Xt 140 CPO L1 208-277V	-
24151500	HID-DV PROG Xt 90 CPO Q 208-277V	-
66914200	HID-DV PROG Xt 45 CPO Q 208-277V	58%-100%

General information

Order Code	Full Product Name	Number Of Products On MCB (16A Type B) (Nom)
20455800	HID-DV PROG Xt 90 CPO C1 208-277V	5
20457200	HID-DV PROG Xt140 CPO C1 208-277V	5
24149200	HID-DV PROG Xt 60 CPO Q 208-277V	11

Order Code	Full Product Name	Number Of Products On MCB (16A Type B) (Nom)
24153900	HID-DV PROG Xt 140 CPO L1 208-277V	5
24151500	HID-DV PROG Xt 90 CPO Q 208-277V	5
66914200	HID-DV PROG Xt 45 CPO Q 208-277V	11

Mechanical and housing

Order Code	Full Product Name	Housing
20455800	HID-DV PROG Xt 90 CPO C1 208-277V	C1
20457200	HID-DV PROG Xt140 CPO C1 208-277V	C1
24149200	HID-DV PROG Xt 60 CPO Q 208-277V	Q

Order Code	Full Product Name	Housing
24153900	HID-DV PROG Xt 140 CPO L1 208-277V	Q
24151500	HID-DV PROG Xt 90 CPO Q 208-277V	Q
66914200	HID-DV PROG Xt 45 CPO Q 208-277V	Q

System characteristics

Order Code	Full Product Name	Lamp Power On CPO	Rated Ballast- Lamp Power
20455800	HID-DV PROG Xt 90 CPO C1 208-277V	90 W	90 W
20457200	HID-DV PROG Xt140 CPO C1 208-277V	140 W	140 W
24149200	HID-DV PROG Xt 60 CPO Q 208-277V	60 W	60 W
24153900	HID-DV PROG Xt 140 CPO L1 208-277V	140 W	140 W

Order Code	Full Product Name	Lamp Power On CPO	Rated Ballast- Lamp Power
24151500	HID-DV PROG Xt 90 CPO Q 208-277V	90 W	90 W
66914200	HID-DV PROG Xt 45 CPO Q 208-277V	45 W	45 W

