



Ambiance creation, anytime, anywhere

Philips Lexel LED SLM system – A flexible LED lighting solution creating thousands of shades of white light and colors from a single source

PHILIPS
sense and simplicity

Ambiance creation, anytime, anywhere

The Philips Lexel LED SLM system is designed for general lighting applications in the professional market, enabling the creation of various atmospheres with changing tones of white light and different colors from a single light source.

The system consists of an LED module and a dedicated LED driver, with a cable (optional) designed for use in new luminaires together with a heatsink, reflector design and a user-interface.

A unique calibration procedure guarantees precise selection of white color temperature (CCT) from 2,700 to 4,200 K, color rendering (R_a) 80 or higher and color consistency between modules and over lifetime.

This future-proof system has fixed form and lumen packages and external heatsink and optics can be easily attached to the module. Dimmable and featuring instant 100% light, the Lexel LED SLM system can be controlled by DMX/RDM, DALI Color (209) or by a 4 button (4B) control interface. Philips Lexel LED SLM SYSTEM is a comfortable lighting solution that emits no heat or UV which also benefits retailers looking to preserve the color fastness of their products or garments.

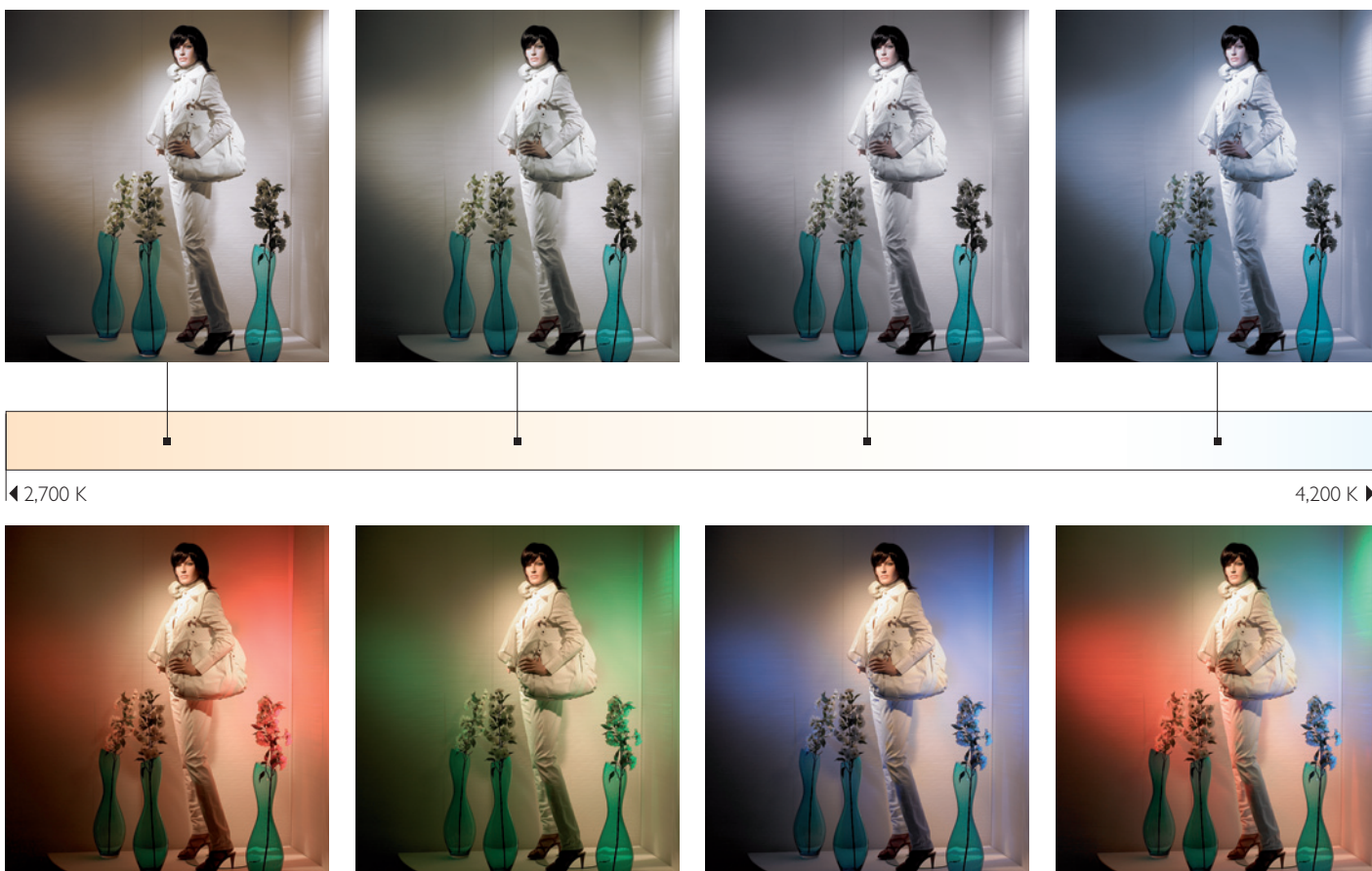
Benefits

- Create various lighting atmospheres with a single light source
- Color quality and consistency over time and among modules
- Enable a faster luminaire creation process

- Easy use of active cooling solutions by extra 12V output connector on LED driver
- Access to the latest LED technology without significant R&D investments
- Very high optical luminaire efficiency
- Comfortable, pleasant light without heat or UV
- Fixed form factor and lumen package
- Long lifetime of 50,000 hrs

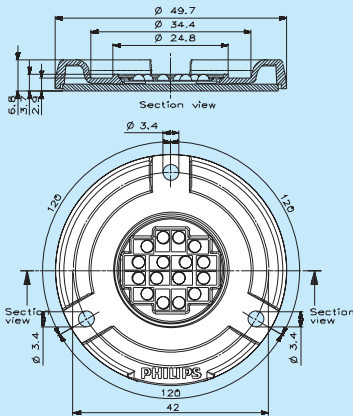
Applications

- Shops – Shop windows, wall-washers, leisure areas, focus islands and shop-in-shop concepts
- Offices – Presentation areas such as reception, boardrooms and restaurants
- Hospitality – Lobbies, reception areas, restaurants, bars, elevator halls
- Recreation – Museums, galleries, theaters and other places of interest

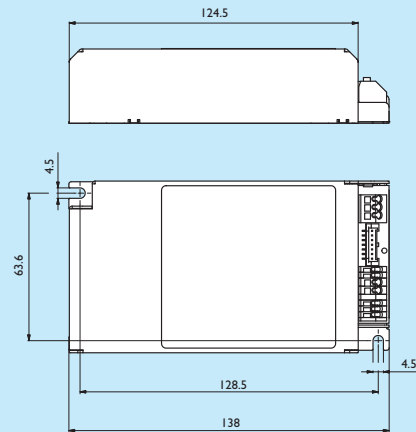


Dimensions (mm)

Lexel LED SLM module



Lexel LED SLM driver



Product specifications

Type	Light output (lm)	Module Power (W)	Module Efficacy (lm/W)	System Power (W)	System Efficacy (lm/W)	Colour Temperature (K)
Lexel LED SLM Module 1100 22W/8TW	1100 @ 4000 K	17W @ 4000 K	65 @ 4000 K	23 @ 4000 K	48 @ 4000 K	2700-4200
Lexel LED SLM Module 800 25W/RGB	800 @ 6500 K	17W @ 6500 K	47 @ 6500 K	24 @ 6500 K	33 @ 6500 K	unit gamut

Type	Colour rendering index (R _a)	Lumen maintenance @ 50 k hrs (%)	Colour consistency initial & @ 10 k hrs. (SDCM)	T _c Life LED module (°C)	Control Interface	Dimming
Lexel LED SLM Module 1100 22W/8TW	> 80	70	< 5	65	DMX/RDM, DALI, 4B	100-0%
Lexel LED SLM Module 800 25W/RGB	< 40	70	< 5	55	DMX/RDM, DALI, 4B	100-0%

Ordering data

LEXEL LED SLM Modules	EOC codes	I2NC codes
Lexel LED SLM Module 1100 22W/8TW	8727900 954159 00	9290 006 20203
Lexel LED SLM Module 800 25W/RGB	8727900 954166 00	9290 006 20303

For a complete system, a module, cable and driver are needed.

LEXEL LED SLM drivers	EOC codes	I2NC codes
Lexel LED driver 25W - DALI	8718291 25082 00	9290 006 20503
Lexel LED driver 25W - DMX	8718291 25099 00	9290 006 32703
Lexel LED driver 25W - 4B	8718291 25105 00	9290 006 32803
Lexel LED driver 25W - DMX TW	8718291 40177 00	9290 006 59703

LEXEL LED SLM cables	EOC codes	I2NC codes
Lexel LED SLM Cable 25cm	8727900 954173 00	9290 006 20403
Lexel LED SLM Cable 60cm	8727900 954203 00	9290 006 33203
Lexel LED SLM DMX Cable 60cm FL	TBD	9290 006 61303

Philips Lexel LED SLM is a dynamic system therefore product specifications as power; light output and color rendering are not constant. For details please consult the Design-in Guide for this system.



For more information, visit:
www.philips.com/lexel
www.philips.com/OEM

©2011 Koninklijke Philips Electronics N.V.

All rights reserved. Reproduction in whole or in part is prohibited without the prior written consent of the copyright owner. The information presented in this document does not form part of any quotation or contract, is believed to be accurate and reliable and may be changed without notice. No liability will be accepted by the publisher for any consequence of its use. Publication thereof does not convey nor imply any license under patent- or other industrial or intellectual property rights.

Date of release: 04/11
Printed in the Netherlands